

LINEA ROSSA LLC

GLR-U28 SLIDING GLASS DOOR & LIFT AND SLIDE SYSTEMS (HVHZ)(IMPACT)

DESIGNED by
LINEA ROSSA®

1850 NW. 84TH AVE., STE. 114
DORAL, FL 33126
PH: (305)815-8797

TITLE: GLR-U28 SLIDING GLASS DOOR
& LIFT & SLIDE SYSTEMS
(HVHZ)(IMPACT)

GENERAL NOTES & INSTALLATION NOTES

PREPARED BY:
BUILDING DROPS, INC.
1900 NE MIAMI COURT, STE. 2-15
MIAMI, FL 33132
PH: (954)399-8478
FAX: (954)744-4738
WEB: www.buildingdrops.com



INSTALLATION NOTES:

- ONE (1) INSTALLATION ANCHOR IS REQUIRED AT EACH ANCHOR LOCATION SHOWN.
- THE NUMBER OF INSTALLATION ANCHORS DEPICTED IS THE MINIMUM NUMBER OF ANCHORS TO BE USED FOR PRODUCT INSTALLATION OF THE MAXIMUM SIZE LISTED.
- INSTALL INDIVIDUAL INSTALLATION ANCHORS WITHIN A TOLERANCE OF ±1/2 INCH THE DEPICTED LOCATION & SPACING IN THE ANCHOR LAYOUT DETAILS (I.E., WITHOUT CONSIDERATION OF TOLERANCES). TOLERANCES ARE NOT CUMULATIVE FROM ONE INSTALLATION ANCHOR TO THE NEXT.
- SHIM AS REQUIRED AT EACH INSTALLATION ANCHOR WITH LOAD BEARING SHIM(S). MAXIMUM ALLOWABLE SHIM STACK TO BE 1/2" INCH. SHIM WHERE SPACE OF 1/16 INCH OR GREATER OCCURS. SHIM(S) SHALL BE CONSTRUCTED OF HIGH DENSITY PLASTIC OR BETTER.
- FOR MASONRY OR CONCRETE OPENINGS, 1X WOOD BUCK MAY BE USED (OPTIONAL AS LONG AS THE MINIMUM EMBEDMENT AND EDGE DISTANCE REQUIREMENTS ARE STILL MET WITHIN THE CORRESPONDING HOST SUBSTRATE. SEE GENERAL NOTE #3 ON SHEET 1 FOR MORE INFORMATION.
- MINIMUM EMBEDMENT AND EDGE DISTANCE EXCLUDE WALL FINISHES, INCLUDING BUT NOT LIMITED TO STUCCO, FOAM, BRICK VENEER, AND SIDING.
- INSTALLATION ANCHORS AND ASSOCIATED HARDWARE MUST BE MADE OF CORROSION RESISTANT MATERIAL OR HAVE A CORROSION RESISTANT COATING.
- FOR GROUT FILLED BLOCK, DO NOT INSTALL INSTALLATION ANCHORS INTO MORTAR JOINTS. EDGE DISTANCE IS MEASURED FROM FREE EDGE OF BLOCK OR EDGE OF MORTAR JOINT INTO FACE SHELL OF BLOCK.
- INSTALLATION ANCHORS SHALL BE INSTALLED IN ACCORDANCE WITH ANCHOR MANUFACTURER'S INSTALLATION INSTRUCTIONS, AND ANCHORS SHALL NOT BE USED IN SUBSTRATES WITH STRENGTHS LESS THAN THE MINIMUM STRENGTH SPECIFIED BY THE ANCHOR MANUFACTURER.

GENERAL NOTES:

- THE PRODUCT SHOWN HEREIN IS DESIGNED AND MANUFACTURED TO COMPLY WITH THE CURRENT EDITION FLORIDA BUILDING CODE (FBC), **INCLUDING** HVHZ AND HAS BEEN EVALUATED ACCORDING TO THE FOLLOWING:
 - TAS 201-94
 - TAS 202-94
 - TAS 203-94
 - ASTM E1886-19
 - ASTM E1996-20
- ADEQUACY OF THE EXISTING STRUCTURAL CONCRETE/MASONRY, 2X FRAMING, AND METAL FRAMING AS A MAIN WIND FORCE RESISTING SYSTEM CAPABLE OF WITHSTANDING AND TRANSFERRING APPLIED PRODUCT LOADS TO THE FOUNDATION IS THE RESPONSIBILITY OF THE ENGINEER OR ARCHITECT OF RECORD FOR THE PROJECT OF INSTALLATION.
- 1X AND 2X BUCKS (WHEN USED) SHALL BE DESIGNED AND ANCHORED TO PROPERLY TRANSFER ALL LOADS TO THE STRUCTURE. BUCK DESIGN AND INSTALLATION IS THE RESPONSIBILITY OF THE ENGINEER OR ARCHITECT OF RECORD FOR THE PROJECT OF INSTALLATION.
- THE INSTALLATION DETAILS DESCRIBED HEREIN ARE GENERIC AND MAY NOT REFLECT ACTUAL CONDITIONS FOR A SPECIFIC SITE. IF SITE CONDITIONS CAUSE INSTALLATION TO DEVIATE FROM THE REQUIREMENTS DETAILED HEREIN, A LICENSED ENGINEER OR ARCHITECT SHALL PREPARE SITE SPECIFIC DOCUMENTS FOR USE WITH THIS DOCUMENT IN NON-HVHZ AREAS.
- APPROVED IMPACT PROTECTIVE SYSTEM **IS NOT REQUIRED** ON THIS PRODUCT IN AREAS REQUIRING IMPACT RESISTANCE.
- WINDOW FRAME MATERIAL: ALUMINUM 6063-T6 / ALUMINUM 6063-T5 / ALUMINUM 6005-T5
- GLASS MEETS THE REQUIREMENTS OF ASTM E1300 GLASS CHARTS. SEE SHEET 2 FOR GLAZING DETAILS.

TABLE OF CONTENTS	
SHEET	SHEET DESCRIPTION
1	GENERAL NOTES & INSTALLATION NOTES
2	GLAZING DETAILS
3	ELEVATION & ANCHOR LAYOUT - OXXO
4	ELEVATION & ANCHOR LAYOUT - OXXX
5	ELEVATION & ANCHOR LAYOUT - OXXXXO
6	ELEVATION & ANCHOR LAYOUT - PX-90-XX
7	DESIGN PRESSURE TABLE
8	VERTICAL SECTIONS
9	VERTICAL SECTIONS
10	VERTICAL SECTIONS
11	VERTICAL SECTIONS
12	HORIZONTAL SECTIONS
13	HORIZONTAL SECTIONS
14	CORNER & POCKET HORIZONTAL SECTIONS
15	ANCHOR DETAILS & ANCHOR SCHEDULE
16	ANCHOR DETAILS CONTINUED

MAX. PANEL SIZE		CONFIG.	DESIGN PRESSURE	MISSILE IMPACT RATING
WIDTH	HEIGHT			
61.5"	117"	OXXX/OXXO	+80/-80 PSF	LARGE & SMALL MISSILE IMPACT
60"	117"	OXXXXO	+80/-80 PSF	
51.25"	107.3125"	PX-90-XX	+90/-90 PSF	

REMARKS	BY	DATE

THE INSTALLATION DETAILS DESCRIBED HEREIN ARE GENERIC AND MAY NOT REFLECT ACTUAL CONDITIONS FOR A SPECIFIC SITE. IF SITE CONDITIONS CAUSE INSTALLATION TO DEVIATE FROM THE REQUIREMENTS DETAILED HEREIN, A LICENSED ENGINEER OR ARCHITECT SHALL PREPARE SITE SPECIFIC DOCUMENTS FOR USE WITH THIS DOCUMENT.

HERMES F. NORERO, P.E.
FLORIDA P.E. No 73778
BUILDING DROPS, INC
1900 NE MIAMI COURT, STE. 2-15
MIAMI, FL 33132
FBPE CERT. OF AUTHORIZATION No. 29578

FL42012

DATE: **08.18.2025**

DWG. BY: **JR** CHK. BY: **HFN**

SCALE: **NTS**

DWG. #: **LRA020**

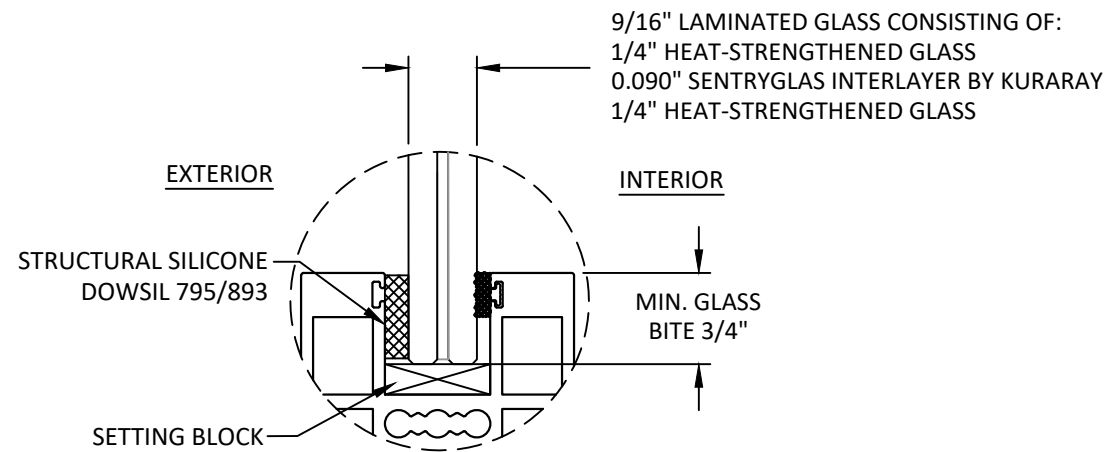
SHEET:

1 OF 16

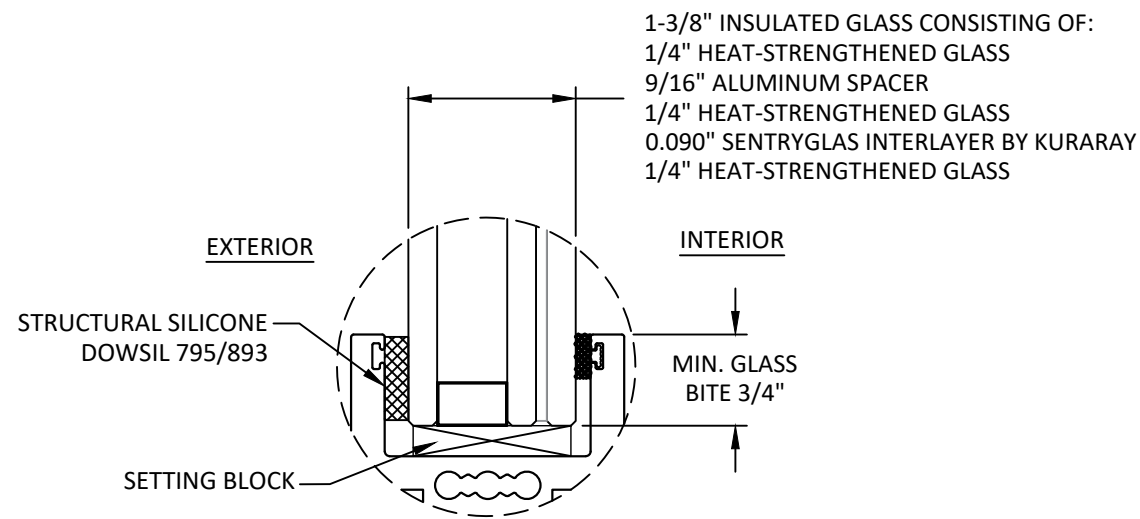
TITLE: GLR-U28 SLIDING GLASS DOOR
& LIFT & SLIDE SYSTEMS
(HVHZ)/(IMPACT)

GLAZING DETAILS

PREPARED BY:
BUILDING DROPS, INC.
1900 NE MIAMI COURT, STE. 2-15
MIAMI, FL 33132
PH: (954)309-8478
FAX: (954)744-4738
WEB: www.buildingdrops.com



GLAZING DETAIL 1



GLAZING DETAIL 2

GLAZING NOTES:

1. GLASS TYPE COMPLIES WITH ASTM E1300 REQUIREMENTS AS WELL AS APPLICABLE SAFETY GLAZING REQUIREMENTS PER THE FBC. TEMPER AND SAFETY GLAZING REQUIREMENTS SHALL BE REVIEWED ON A SITE SPECIFIC BASIS.
2. SETTING BLOCK DUROMETER HARDNESS OF 70-90 (SHORE A) AS REFERENCED IN FBC CHAPTER 24.
3. TWO APPROVED SETTING BLOCKS SHALL BE USED FOR GLASS WIDER THAN 36" AS PER FBC CHAPTER 24.
4. D.L.O. AND DESIGN PRESSURES MAY NOT EXCEED MAX VALUES IN DP TABLES ON SHEETS 3-7.

REMARKS	BY	DATE

THE INSTALLATION DETAILS DESCRIBED HEREIN ARE GENERIC AND MAY NOT REFLECT ACTUAL CONDITIONS FOR A SPECIFIC SITE. IF SITE CONDITIONS CAUSE INSTALLATION TO DEVIATE FROM THE REQUIREMENTS DETAILED HEREIN, A LICENSED ENGINEER OR ARCHITECT SHALL PREPARE SITE SPECIFIC DOCUMENTS FOR USE WITH THIS DOCUMENT.

HERMES F. NORERO, P.E.
FLORIDA P.E. No 73778
BUILDING DROPS, INC
1900 NE MIAMI COURT, STE. 2-15
MIAMI, FL 33132
FBPE CERT. OF AUTHORIZATION No. 29578

FL42012

DATE: **08.18.2025**

DWG. BY: **JR** CHK. BY: **HFN**

SCALE: **NTS**

DWG. #: **LRA020**

SHEET:

TITLE: **GLR-U28 SLIDING GLASS DOOR & LIFT & SLIDE SYSTEMS (HVHZ)(IMPACT)**
ELEVATION & ANCHOR LAYOUT
OXO

PREPARED BY:
BUILDING DROPS, INC.
1900 NE MIAMI COURT, STE. 2-15
MIAMI, FL 33132
PH: (954)309-8478
FAX: (954)744-4738
WEB: www.buildingdrops.com



REMARKS	BY	DATE

THE INSTALLATION DETAILS DESCRIBED HEREIN ARE GENERIC AND MAY NOT REFLECT ACTUAL CONDITIONS FOR A SPECIFIC SITE. IF SITE CONDITIONS CAUSE INSTALLATION TO DEVIATE FROM THE REQUIREMENTS DETAILED HEREIN, A LICENSED ENGINEER OR ARCHITECT SHALL PREPARE SITE SPECIFIC DOCUMENTS FOR USE WITH THIS DOCUMENT.

HERMES F. NORERO, P.E.
FLORIDA P.E. No 73778
BUILDING DROPS, INC.
1900 NE MIAMI COURT, STE. 2-15
MIAMI, FL 33132
FBPE CERT. OF AUTHORIZATION No. 29578

FL42012

DATE: **08.18.2025**

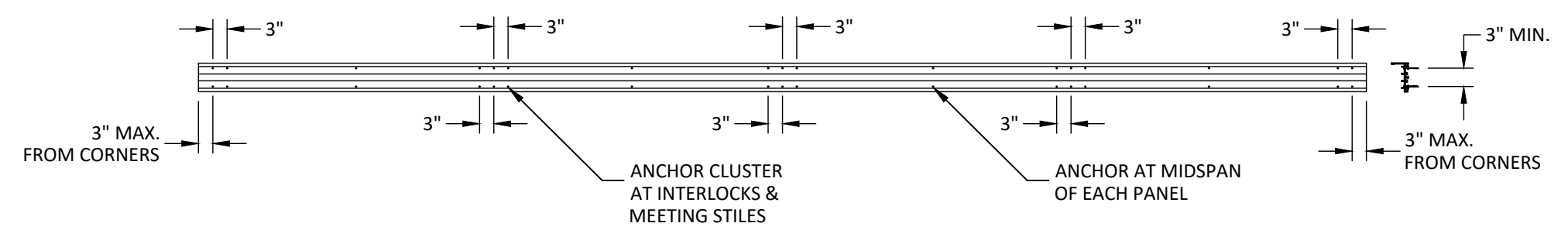
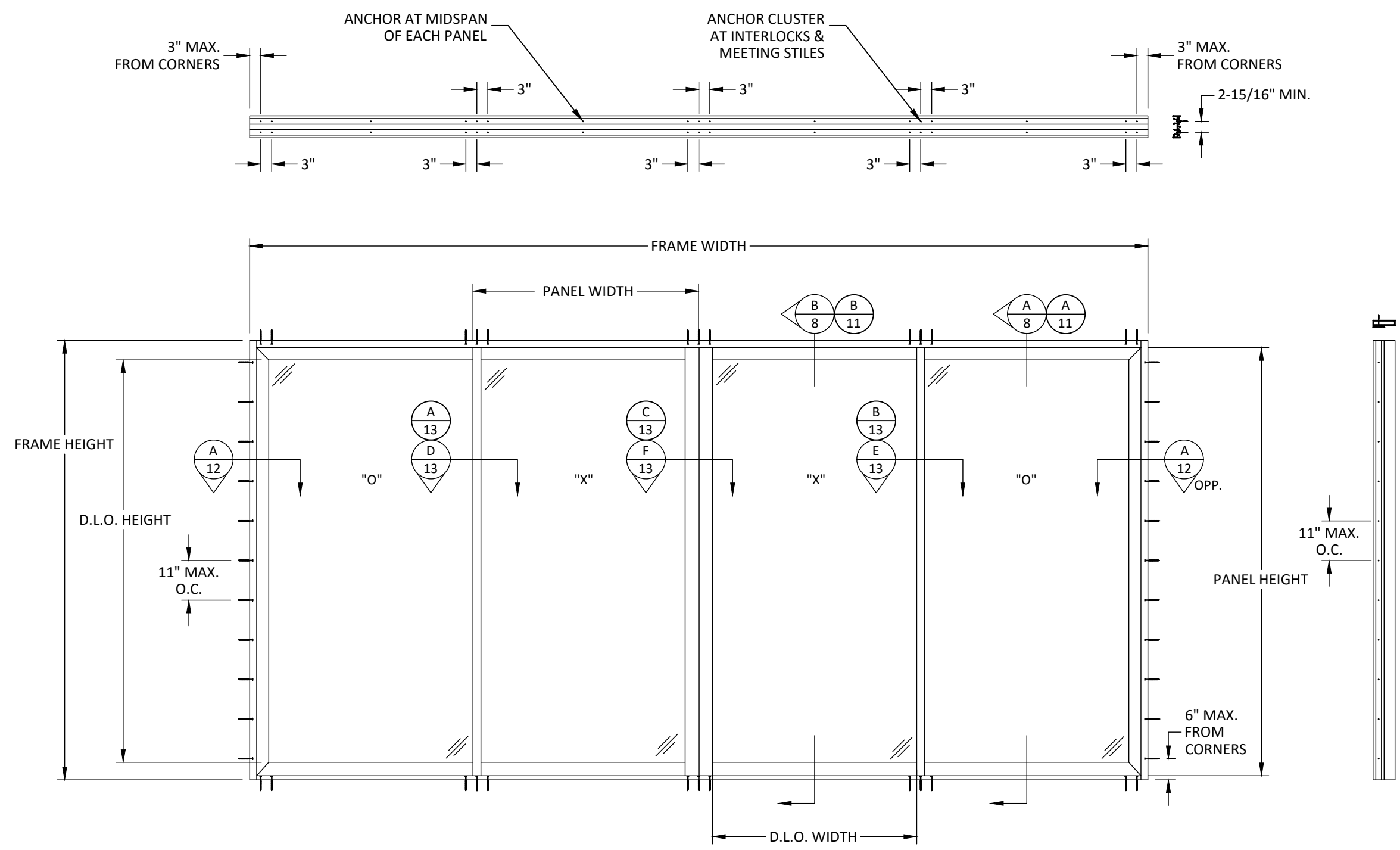
DWG. BY: **JR** CHK. BY: **HFN**

SCALE: **NTS**

DWG. #: **LRA020**

SHEET:

3 OF 16



LIFT AND SLIDE SIZE NOTES:
D.L.O. WIDTH = PANEL WIDTH - 5.8125"
D.L.O. HEIGHT = PANEL HEIGHT - 7.0625"

FRAME WIDTH = PANEL WIDTH*4 + 4.88"
FRAME HEIGHT = PANEL HEIGHT + 3.00"

TITLE: GLR-U28 SLIDING GLASS DOOR
& LIFT & SLIDE SYSTEMS
(HVHZ)/(IMPACT)
ELEVATION & ANCHOR LAYOUT
OXXX

PREPARED BY:
BUILDING DROPS, INC.
1900 NE MIAMI COURT, STE. 2-15
MIAMI, FL 33132
PH: (954)309-8478
FAX: (954)744-4738
WEB: www.buildingdrops.com



REMARKS	BY	DATE

THE INSTALLATION DETAILS DESCRIBED HEREIN ARE GENERIC AND MAY NOT REFLECT ACTUAL CONDITIONS FOR A SPECIFIC SITE. IF SITE CONDITIONS CAUSE INSTALLATION TO DEVIATE FROM THE REQUIREMENTS DETAILED HEREIN, A LICENSED ENGINEER OR ARCHITECT SHALL PREPARE SITE SPECIFIC DOCUMENTS FOR USE WITH THIS DOCUMENT.

HERMES F. NORERO, P.E.
FLORIDA P.E. No 73778
BUILDING DROPS, INC.
1900 NE MIAMI COURT, STE. 2-15
MIAMI, FL 33132
FBPE CERT. OF AUTHORIZATION No. 29578

FL42012

DATE: **08.18.2025**

DWG. BY: **JR** CHK. BY: **HFN**

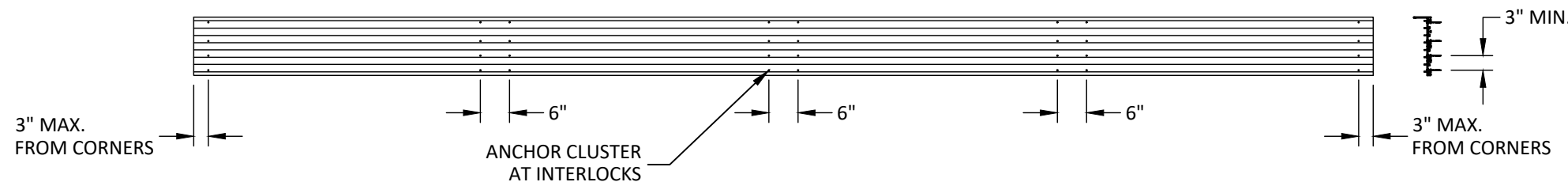
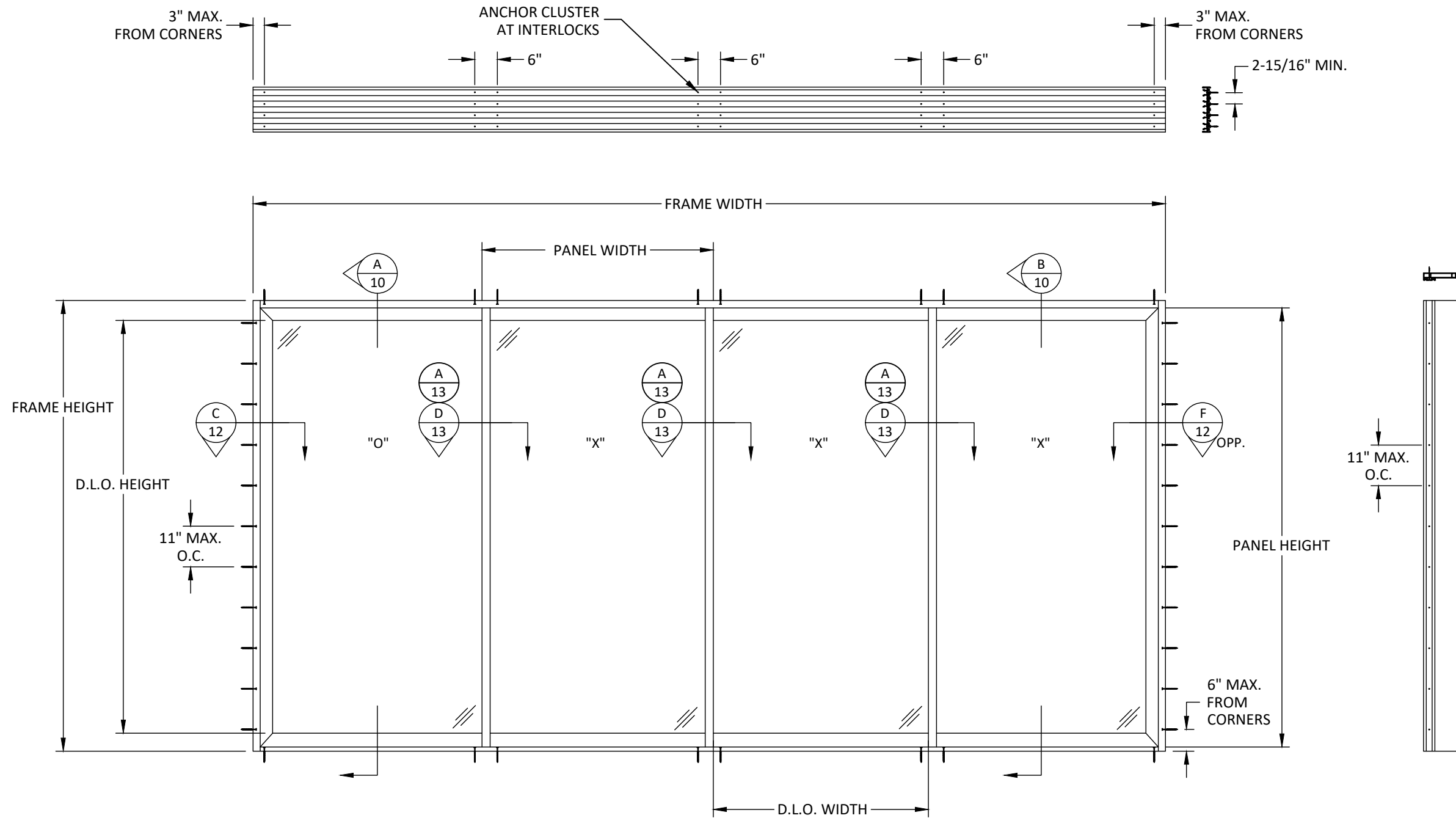
SCALE: **NTS**

DWG. #: **LRA020**

SHEET:

4

OF 16



LIFT AND SLIDE SIZE NOTES:
D.L.O. WIDTH = PANEL WIDTH - 5.8125"
D.L.O. HEIGHT = PANEL HEIGHT - 7.0625"

FRAME WIDTH = PANEL WIDTH*4 + 4.88"
FRAME HEIGHT = PANEL HEIGHT + 3.00"

TITLE: GLR-U28 SLIDING GLASS DOOR
& LIFT & SLIDE SYSTEMS
(HVHZ)(IMPACT)
ELEVATION & ANCHOR LAYOUT
OXXXXX

PREPARED BY:
B.D.
BUILDING DROPS

BUILDING DROPS, INC.
1900 NE MIAMI COURT, STE. 2-15
MIAMI, FL 33132
PH: (954)309-8478
FAX: (954)744-4738
WEB: www.buildingdrops.com

REMARKS	BY	DATE

THE INSTALLATION DETAILS DESCRIBED HEREIN ARE GENERIC AND MAY NOT REFLECT ACTUAL CONDITIONS FOR A SPECIFIC SITE. IF SITE CONDITIONS CAUSE INSTALLATION TO DEVIATE FROM THE REQUIREMENTS DETAILED HEREIN, A LICENSED ENGINEER OR ARCHITECT SHALL PREPARE SITE SPECIFIC DOCUMENTS FOR USE WITH THIS DOCUMENT.

HERMES F. NORERO, P.E.
FLORIDA P.E. No 73778
BUILDING DROPS, INC.
1900 NE MIAMI COURT, STE. 2-15
MIAMI, FL 33132
FBPE CERT. OF AUTHORIZATION No. 29578

FL42012

DATE: **08.18.2025**

DWG. BY:
JR

CHK. BY:
HFN

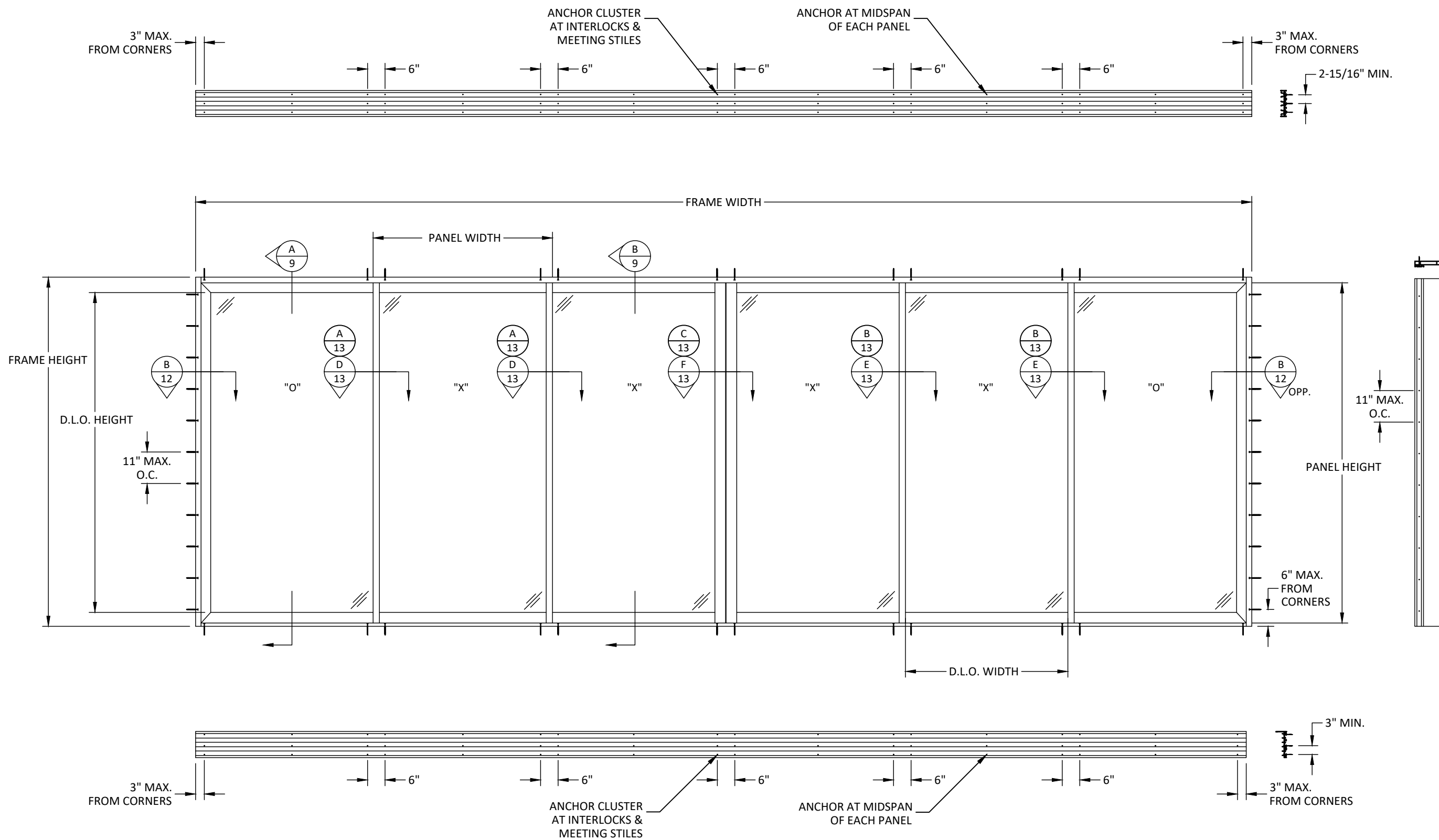
SCALE: **NTS**

DWG. #: **LRA020**

SHEET:

5

OF 16



LIFT AND SLIDE SIZE NOTES:
D.L.O. WIDTH = PANEL WIDTH - 5.8125"
D.L.O. HEIGHT = PANEL HEIGHT - 7.0625"

FRAME WIDTH = PANEL WIDTH*4 + 4.88"
FRAME HEIGHT = PANEL HEIGHT + 3.00"

DESIGNED by
LINEA ROSSA®

1850 NW. 84TH AVE., STE. 114
DORAL, FL 33126
PH: (305)815-8797

TITLE: GLR-U28 SLIDING GLASS DOOR
& LIFT & SLIDE SYSTEMS
(HVHZ)/(IMPACT)

ELEVATION & ANCHOR LAYOUT
PX-90-XX

PREPARED BY:
B.D.
BUILDING DROPS

BUILDING DROPS, INC.
1900 NE MIAMI COURT, STE. 2-15
MIAMI, FL 33132
PH: (954)309-8478
FAX: (954)744-4738
WEB: www.buildingdrops.com

REMARKS	BY	DATE

THE INSTALLATION DETAILS DESCRIBED HEREIN ARE GENERIC AND MAY NOT REFLECT ACTUAL CONDITIONS FOR A SPECIFIC SITE. IF SITE CONDITIONS CAUSE INSTALLATION TO DEVIATE FROM THE REQUIREMENTS DETAILED HEREIN, A LICENSED ENGINEER OR ARCHITECT SHALL PREPARE SITE SPECIFIC DOCUMENTS FOR USE WITH THIS DOCUMENT.

HERMES F. NORERO, P.E.
FLORIDA P.E. No 73778
BUILDING DROPS, INC.
1900 NE MIAMI COURT, STE. 2-15
MIAMI, FL 33132
FBPE CERT. OF AUTHORIZATION No. 29578

FL42012

DATE: **08.18.2025**

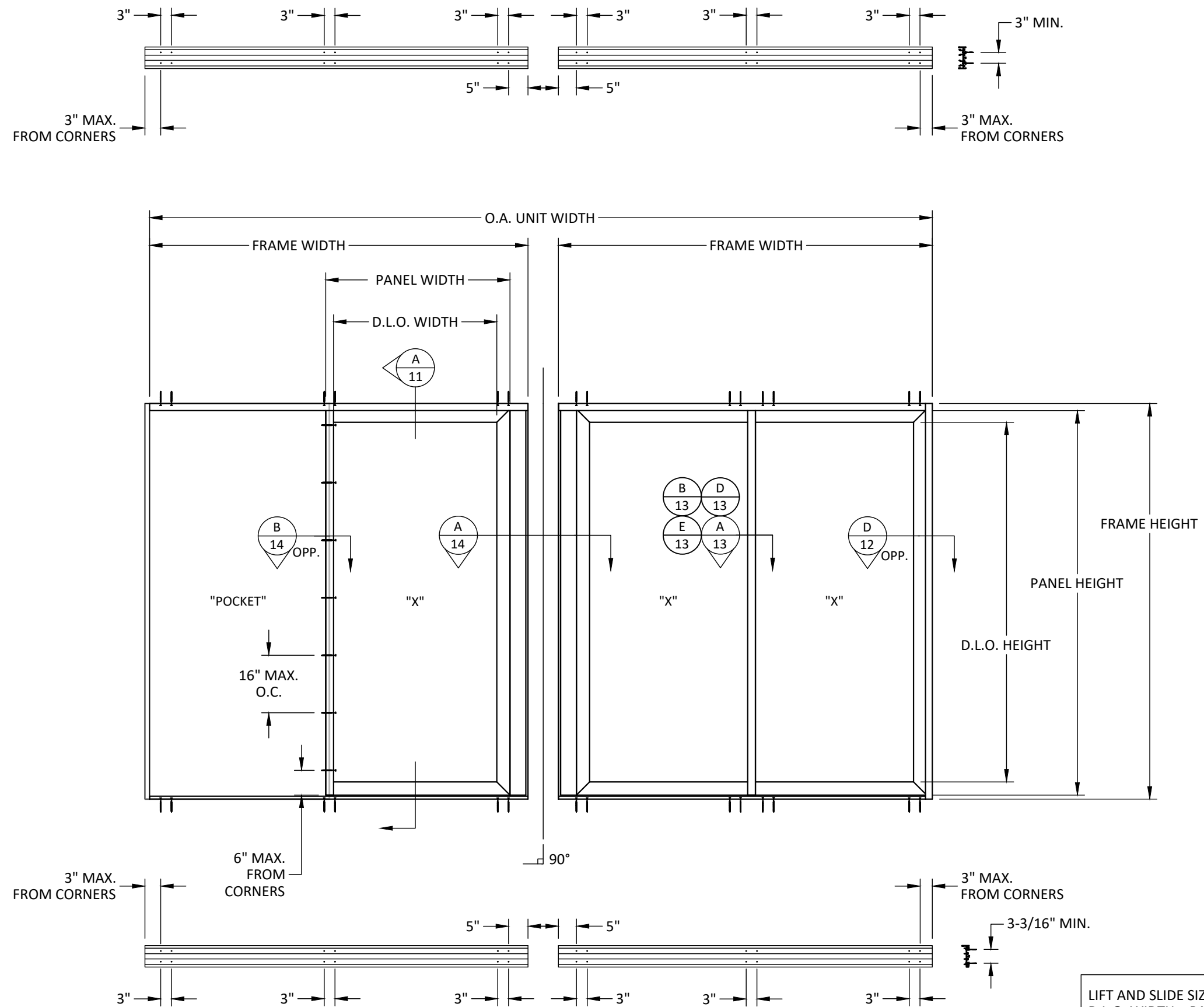
DWG. BY: **JR** CHK. BY: **HFN**

SCALE: **NTS**

DWG. #: **LRA020**

SHEET:

6 OF 16



LIFT AND SLIDE SIZE NOTES:
D.L.O. WIDTH = PANEL WIDTH - 4.357"
D.L.O. HEIGHT = PANEL HEIGHT - 6.4375"

FRAME WIDTH = PANEL WIDTH*2 + 4.357"
FRAME HEIGHT = PANEL HEIGHT + 2.6875"

INTERLOCK, MEETING STILE, POCKET, AND CORNER
DESIGN PRESSURE TABLE

DESIGN PRESSURE CHART (PSF) (+)/(-)						
PANEL WIDTH (IN.)	PANEL HEIGHT (IN.)	INTERLOCK 1	INTERLOCK 2	MEETING STILE	POCKET	CORNER
36	69	90.00	90.00	80.00	90.00	90.00
42		90.00	90.00	80.00	90.00	90.00
48		90.00	90.00	80.00	90.00	90.00
52		90.00	90.00	80.00	90.00	90.00
54		90.00	90.00	80.00	90.00	90.00
60		90.00	90.00	80.00	90.00	90.00
36	75	90.00	90.00	80.00	90.00	90.00
42		90.00	90.00	80.00	90.00	90.00
48		90.00	90.00	80.00	90.00	90.00
52		90.00	90.00	80.00	90.00	90.00
54		90.00	90.00	80.00	90.00	90.00
60		90.00	90.00	80.00	90.00	90.00
36	81	90.00	90.00	80.00	90.00	90.00
42		90.00	90.00	80.00	90.00	90.00
48		90.00	90.00	80.00	90.00	90.00
52		90.00	90.00	80.00	90.00	90.00
54		90.00	90.00	80.00	90.00	90.00
60		90.00	90.00	80.00	90.00	90.00
36	87	90.00	90.00	80.00	90.00	90.00
42		90.00	90.00	80.00	90.00	90.00
48		90.00	90.00	80.00	90.00	90.00
52		90.00	90.00	80.00	90.00	90.00
54		90.00	90.00	80.00	90.00	90.00
60		90.00	90.00	80.00	90.00	90.00
36	93	90.00	90.00	80.00	90.00	90.00
42		90.00	90.00	80.00	90.00	90.00
48		90.00	90.00	80.00	90.00	90.00
52		90.00	90.00	80.00	90.00	90.00
54		90.00	90.00	80.00	90.00	90.00
60		90.00	90.00	80.00	90.00	90.00

DESIGN PRESSURE CHART (PSF) (+)/(-)						
PANEL WIDTH (IN.)	PANEL HEIGHT (IN.)	INTERLOCK 1	INTERLOCK 2	MEETING STILE	POCKET	CORNER
36	99	90.00	90.00	80.00	90.00	90.00
42		90.00	90.00	80.00	90.00	90.00
48		90.00	90.00	80.00	90.00	90.00
52		90.00	90.00	80.00	90.00	90.00
54		90.00	90.00	80.00	90.00	90.00
60		84.55	84.55	80.00	87.19	87.19
36	107	90.00	90.00	80.00	90.00	90.00
42		90.00	90.00	80.00	90.00	90.00
48		90.00	90.00	80.00	90.00	90.00
52		90.00	90.00	80.00	90.00	90.00
54		86.92	86.92	80.00	89.64	89.64
60		80.00	80.00	80.00	80.67	80.67
36	111	90.00	90.00	80.00	-	-
42		90.00	90.00	80.00	-	-
48		88.10	88.10	80.00	-	-
52		81.33	81.33	80.00	-	-
54		80.00	80.00	80.00	-	-
60		80.00	80.00	80.00	-	-
36	117	90.00	90.00	80.00	-	-
42		85.98	85.98	80.00	-	-
48		80.00	80.00	80.00	-	-
52		80.00	80.00	80.00	-	-
54		80.00	80.00	80.00	-	-
60		80.00	80.00	80.00	-	-

TITLE: GLR-U28 SLIDING GLASS DOOR
& LIFT & SLIDE SYSTEMS
(HVHZ)(IMPACT)

DESIGN PRESSURE TABLE

PREPARED BY:
BUILDING DROPS, INC.
1900 NE MIAMI COURT, STE. 2-15
MIAMI, FL 33132
PH: (954)399-8478
FAX: (954)744-4738
WEB: www.buildingdrops.com



REMARKS	BY	DATE

THE INSTALLATION DETAILS DESCRIBED HEREIN ARE GENERIC AND MAY NOT REFLECT ACTUAL CONDITIONS FOR A SPECIFIC SITE. IF SITE CONDITIONS CAUSE INSTALLATION TO DEVIATE FROM THE REQUIREMENTS DETAILED HEREIN, A LICENSED ENGINEER OR ARCHITECT SHALL PREPARE SITE SPECIFIC DOCUMENTS FOR USE WITH THIS DOCUMENT.

HERMES F. NORERO, P.E.
FLORIDA P.E. No 73778
BUILDING DROPS, INC
1900 NE MIAMI COURT, STE. 2-15
MIAMI, FL 33132
FBPE CERT. OF AUTHORIZATION No. 29578

FL42012

DATE: **08.18.2025**

DWG. BY: JR	CHK. BY: HFN
-----------------------	------------------------

SCALE: **NTS**

DWG. #: **LRA020**

SHEET:

7

OF 16

TITLE: GLR-U28 SLIDING GLASS DOOR
& LIFT & SLIDE SYSTEMS
(HVHZ)/(IMPACT)
VERTICAL SECTIONS

PREPARED BY:
BUILDING DROPS, INC.
1900 NE MIAMI COURT, STE. 2-15
MIAMI, FL 33132
PH: (954)309-8478
FAX: (954)744-4738
WEB: www.buildingdrops.com



REMARKS	BY	DATE

THE INSTALLATION DETAILS DESCRIBED HEREIN ARE GENERIC AND MAY NOT REFLECT ACTUAL CONDITIONS FOR A SPECIFIC SITE. IF SITE CONDITIONS CAUSE INSTALLATION TO DEVIATE FROM THE REQUIREMENTS DETAILED HEREIN, A LICENSED ENGINEER OR ARCHITECT SHALL PREPARE SITE SPECIFIC DOCUMENTS FOR USE WITH THIS DOCUMENT.

HERMES F. NORERO, P.E.
FLORIDA P.E. No 73778
BUILDING DROPS, INC.
1900 NE MIAMI COURT, STE. 2-15
MIAMI, FL 33132
FBPE CERT. OF AUTHORIZATION No. 29578

FL42012

DATE: 08.18.2025

DWG. BY: JR	CHK. BY: HFN
----------------	-----------------

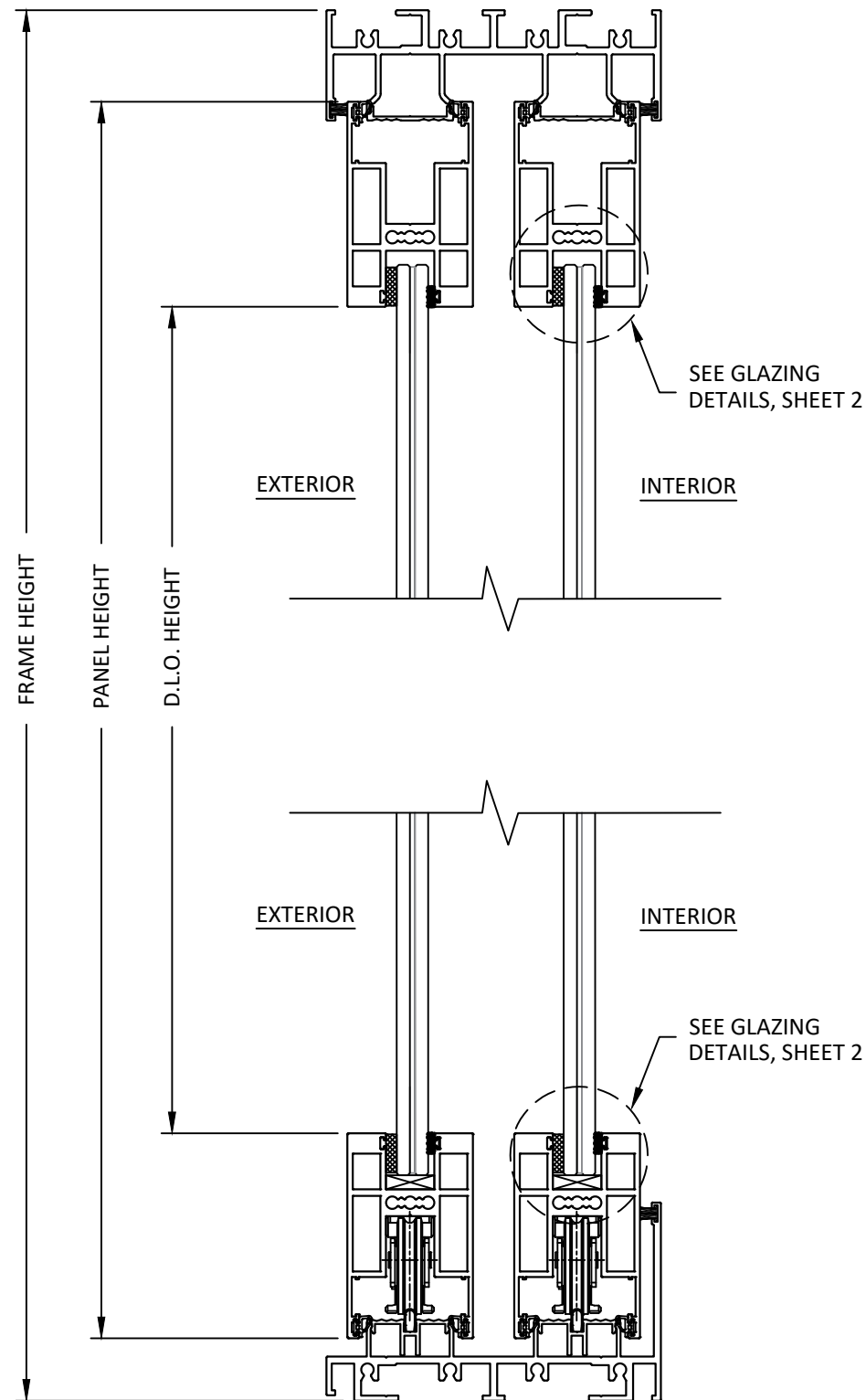
SCALE: NTS

DWG. #: LRA020

SHEET:

8

OF 16

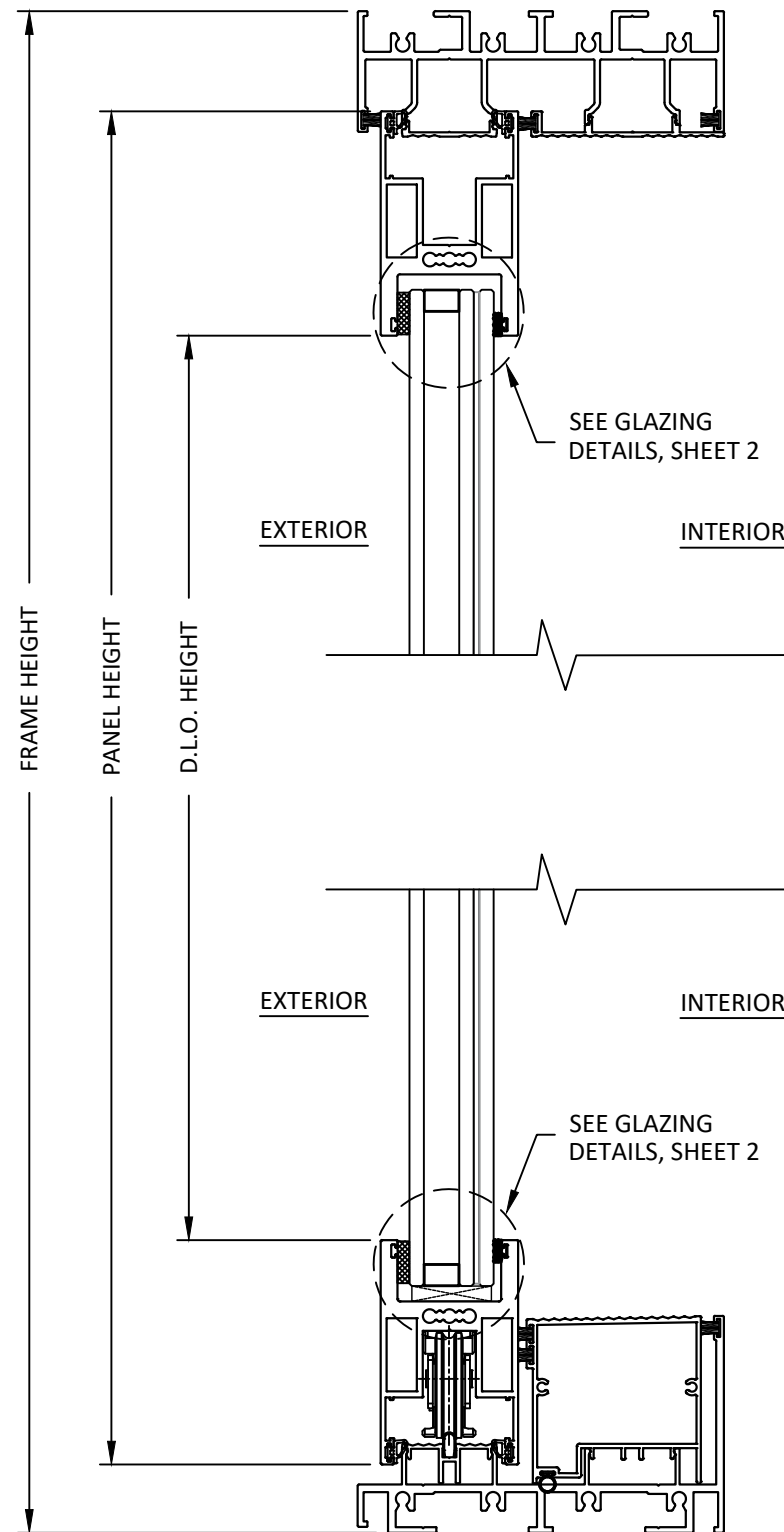


A
8

VERTICAL SECTION

2-TRACK - HEAD & 3.537" SILL
LAMINATED GLASS SHOWN

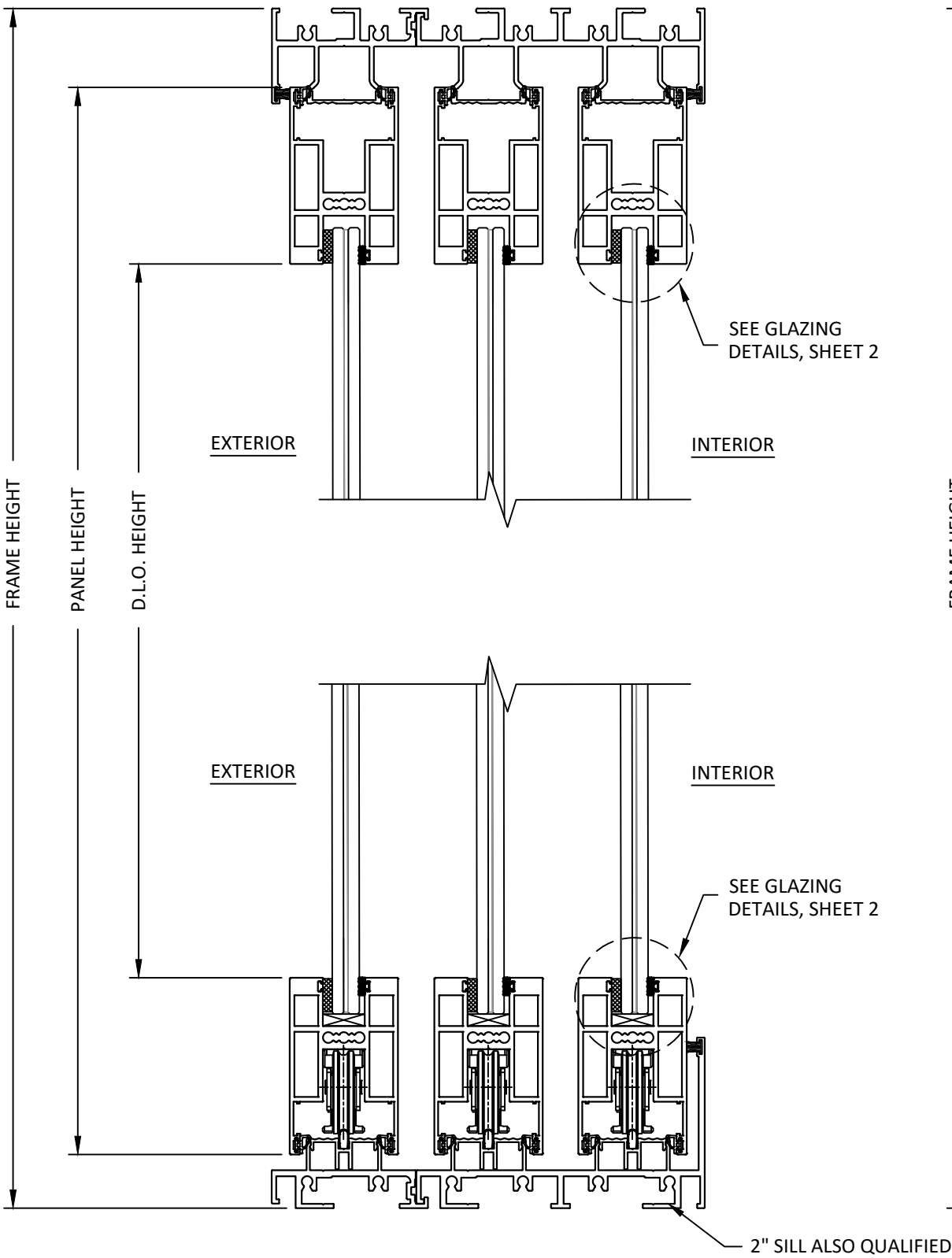
NOTE: BOTH LAMINATED AND INSULATED
GLASS ARE QUALIFIED.



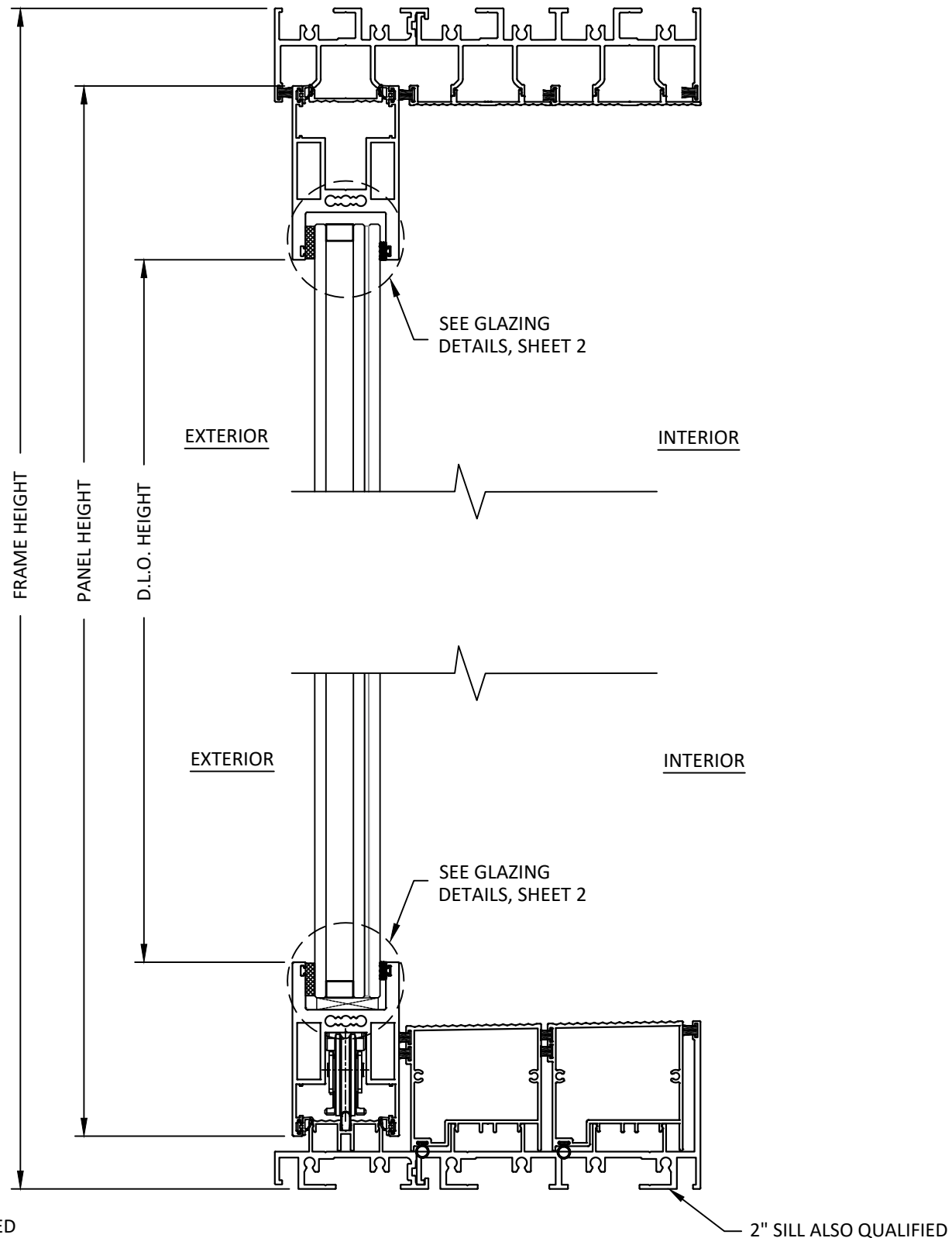
B
8

VERTICAL SECTION

2-TRACK - HEAD & 3.537" SILL
INSULATED GLASS SHOWN



A
9 VERTICAL SECTION
3-TRACK - HEAD & 3.537" SILL
LAMINATED GLASS SHOWN



B
9 VERTICAL SECTION
3-TRACK - HEAD & 3.537" SILL
INSULATED GLASS SHOWN

NOTE: BOTH LAMINATED AND INSULATED GLASS ARE QUALIFIED.

DESIGNED by
LINEA ROSSA®
1850 NW. 84TH AVE., STE. 114
DORAL, FL 33126
PH: (305)815-8797

TITLE: GLR-U28 SLIDING GLASS DOOR
& LIFT & SLIDE SYSTEMS
(HVHZ)(IMPACT)
VERTICAL SECTIONS

PREPARED BY:
BD
BUILDING DROPS
BUILDING DROPS, INC.
1900 NE MIAMI COURT, STE. 2-15
MIAMI, FL 33132
PH: (954)309-8478
FAX: (954)744-4738
WEB: www.buildingdrops.com

REMARKS	BY	DATE

THE INSTALLATION DETAILS DESCRIBED HEREIN ARE GENERIC AND MAY NOT REFLECT ACTUAL CONDITIONS FOR A SPECIFIC SITE. IF SITE CONDITIONS CAUSE INSTALLATION TO DEVIATE FROM THE REQUIREMENTS DETAILED HEREIN, A LICENSED ENGINEER OR ARCHITECT SHALL PREPARE SITE SPECIFIC DOCUMENTS FOR USE WITH THIS DOCUMENT.

HERMES F. NORERO, P.E.
FLORIDA P.E. No 73778
BUILDING DROPS, INC.
1900 NE MIAMI COURT, STE. 2-15
MIAMI, FL 33132
FBPE CERT. OF AUTHORIZATION No. 29578

FL42012

DATE: 08.18.2025

DWG. BY: JR CHK. BY: HFN

SCALE: NTS

DWG. #: LRA020

SHEET:

TITLE: GLR-U28 SLIDING GLASS DOOR
& LIFT & SLIDE SYSTEMS
(HVHZ)/(IMPACT)
VERTICAL SECTIONS

PREPARED BY:
BUILDING DROPS, INC.
1900 NE MIAMI COURT, STE. 2-15
MIAMI, FL 33132
PH: (954)309-8478
FAX: (954)744-4738
WEB: www.buildingdrops.com



REMARKS	BY	DATE

THE INSTALLATION DETAILS DESCRIBED HEREIN ARE GENERIC AND MAY NOT REFLECT ACTUAL CONDITIONS FOR A SPECIFIC SITE. IF SITE CONDITIONS CAUSE INSTALLATION TO DEVIATE FROM THE REQUIREMENTS DETAILED HEREIN, A LICENSED ENGINEER OR ARCHITECT SHALL PREPARE SITE SPECIFIC DOCUMENTS FOR USE WITH THIS DOCUMENT.

HERMES F. NORERO, P.E.
FLORIDA P.E. No 73778
BUILDING DROPS, INC
1900 NE MIAMI COURT, STE. 2-15
MIAMI, FL 33132
FBPE CERT. OF AUTHORIZATION No. 29578

FL42012

DATE: 08.18.2025

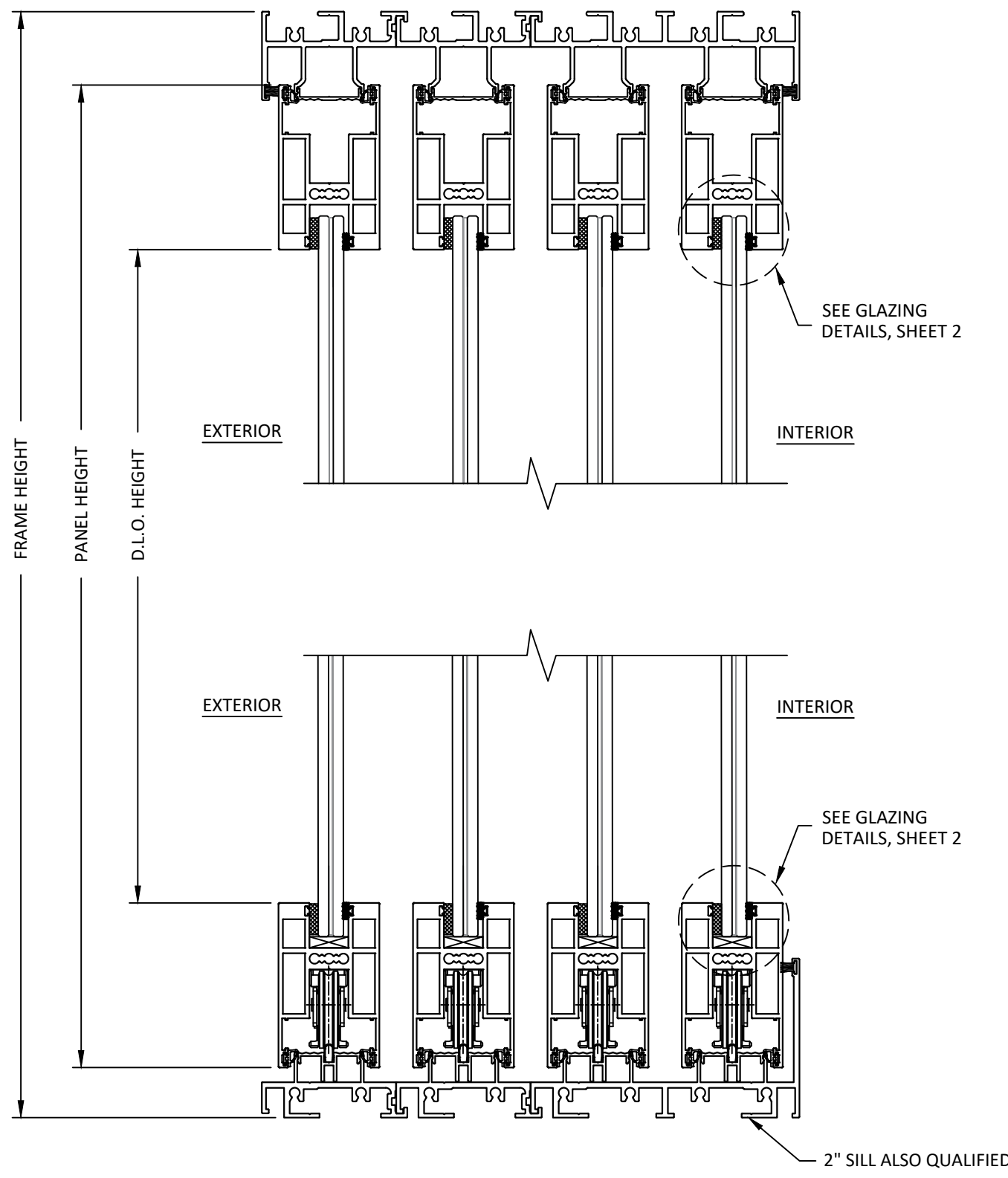
DWG. BY: JR CHK. BY: HFN

SCALE: NTS

DWG. #: LRA020

SHEET:

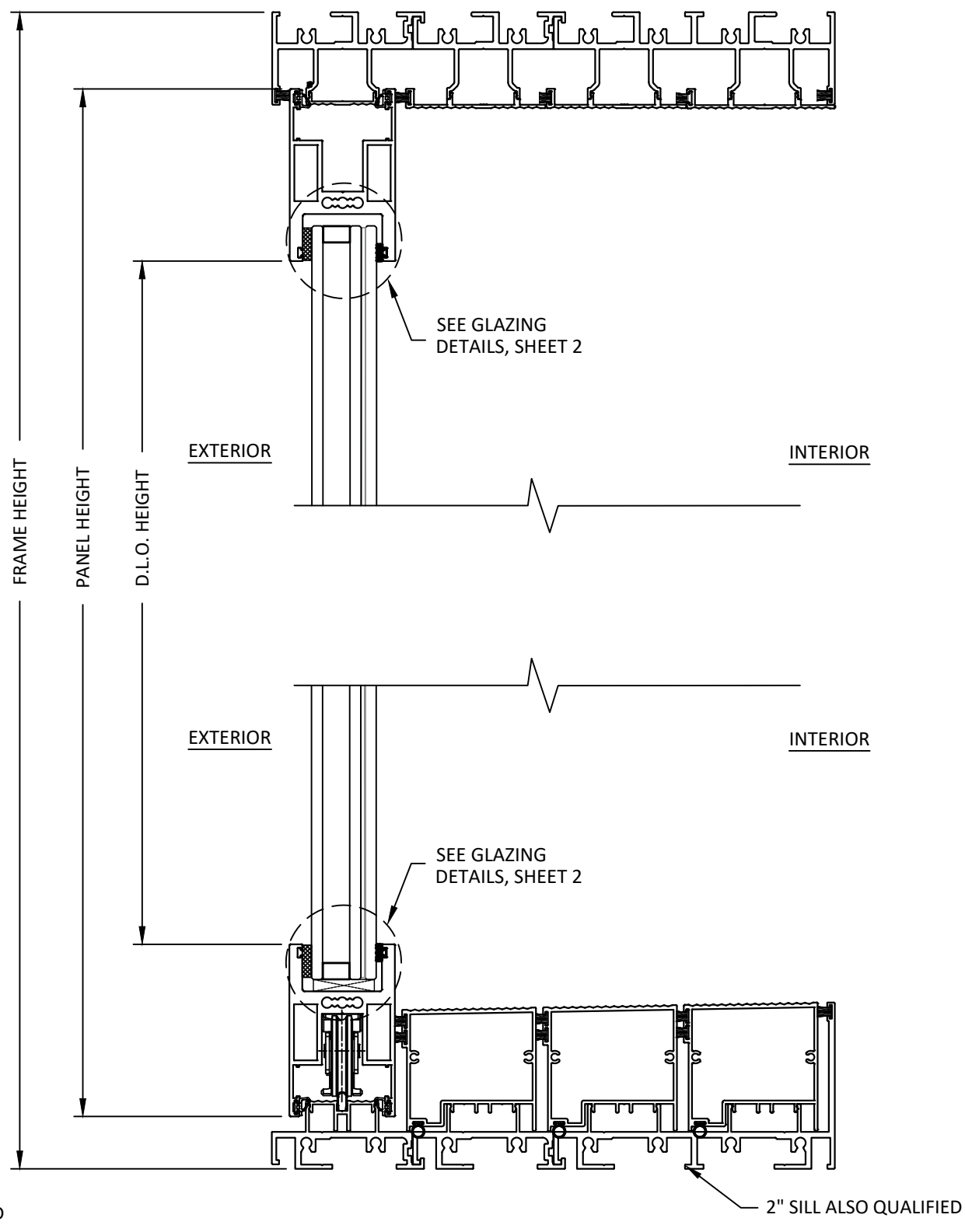
10 OF 16



A
10

VERTICAL SECTION

4-TRACK - HEAD & 3.537" SILL
LAMINATED GLASS SHOWN



B
10

VERTICAL SECTION

4-TRACK - HEAD & 3.537" SILL
INSULATED GLASS SHOWN

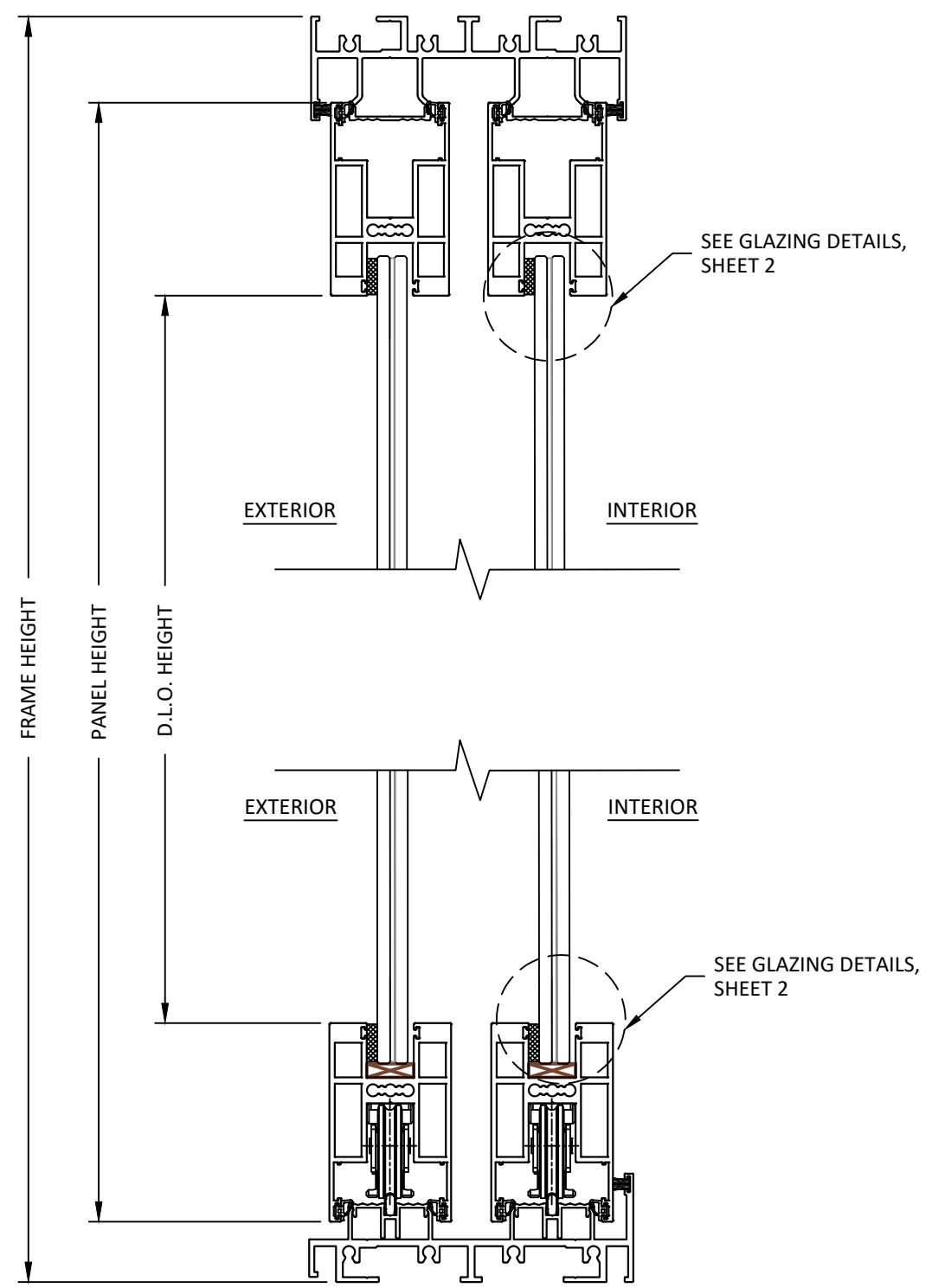
NOTE: BOTH LAMINATED AND INSULATED
GLASS ARE QUALIFIED.

DESIGNED by
LINEA ROSSA®

1850 NW. 84TH AVE., STE. 114
DORAL, FL 33126
PH: (305)815-8797

TITLE: GLR-U28 SLIDING GLASS DOOR
& LIFT & SLIDE SYSTEMS
(HVHZ)/(IMPACT)
VERTICAL SECTIONS

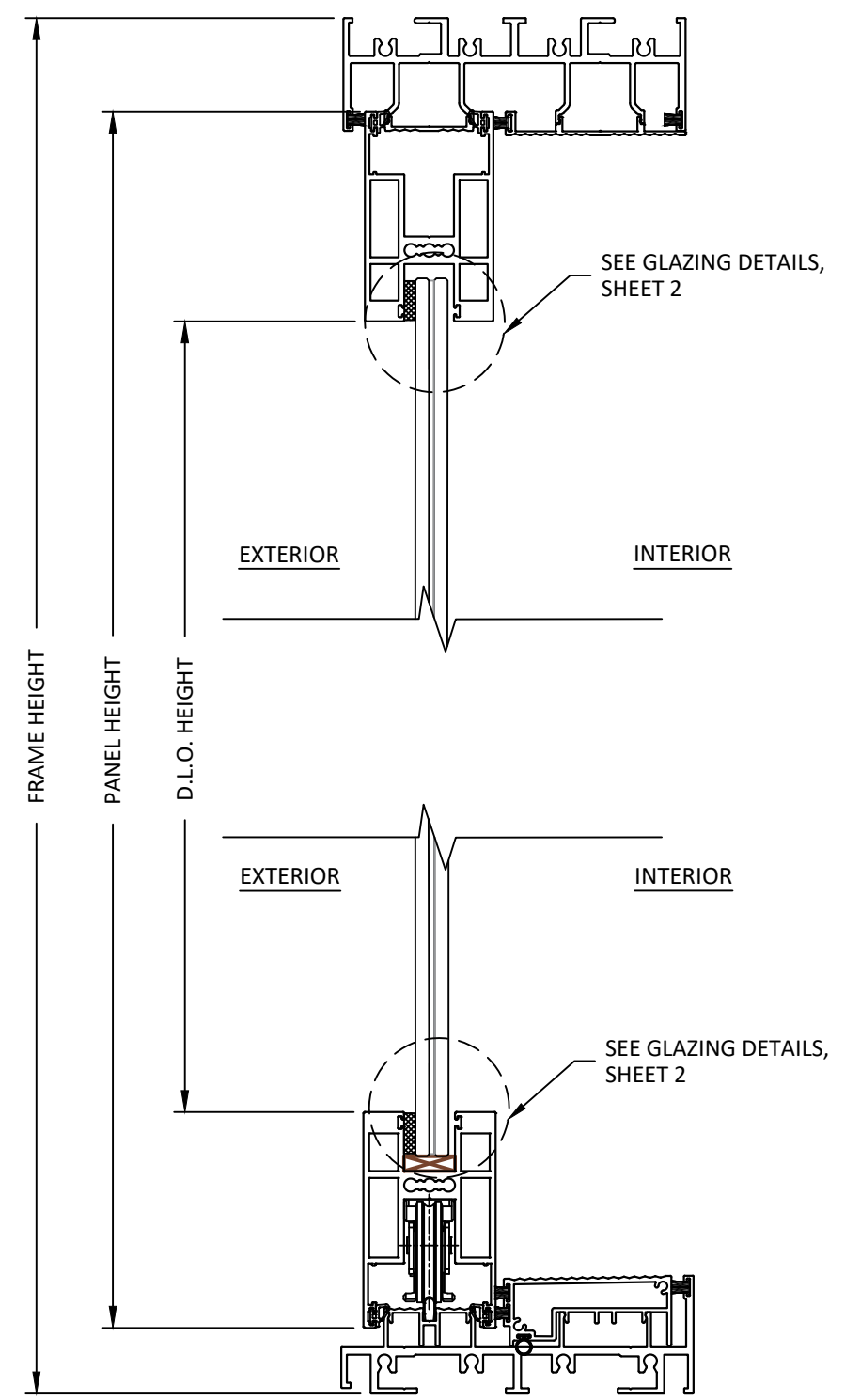
PREPARED BY:
BD
BUILDING DROPS
BUILDING DROPS, INC.
1900 NE MIAMI COURT, STE. 2-15
MIAMI, FL 33132
PH: (954)309-8478
FAX: (954)744-4738
WEB: www.buildingdrops.com



A
11

VERTICAL SECTION

2-TRACK - HEAD & 2" SILL
LAMINATED GLASS SHOWN



B
11

VERTICAL SECTION

2-TRACK - HEAD & 2" SILL
LAMINATED GLASS SHOWN

NOTE: BOTH LAMINATED AND INSULATED
GLASS ARE QUALIFIED.

REMARKS	BY	DATE

THE INSTALLATION DETAILS DESCRIBED HEREIN ARE
GENERIC AND MAY NOT REFLECT ACTUAL CONDITIONS
FOR A SPECIFIC SITE. IF SITE CONDITIONS CAUSE
INSTALLATION TO DEVIATE FROM THE REQUIREMENTS
DETAILED HEREIN, A LICENSED ENGINEER OR ARCHITECT
SHALL PREPARE SITE SPECIFIC DOCUMENTS FOR USE
WITH THIS DOCUMENT.

HERMES F. NORERO, P.E.
FLORIDA P.E. No 73778
BUILDING DROPS, INC
1900 NE MIAMI COURT, STE. 2-15
MIAMI, FL 33132
FBPE CERT. OF AUTHORIZATION No. 29578

FL42012

DATE: **08.18.2025**

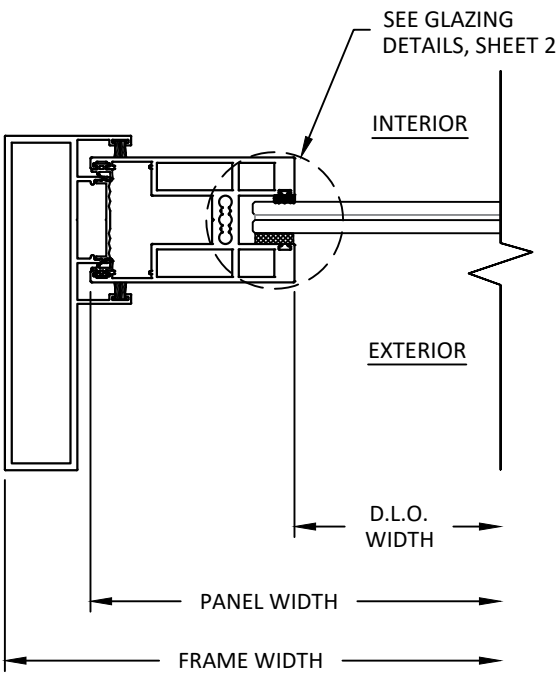
DWG. BY: **JR** CHK. BY: **HFN**

SCALE: **NTS**

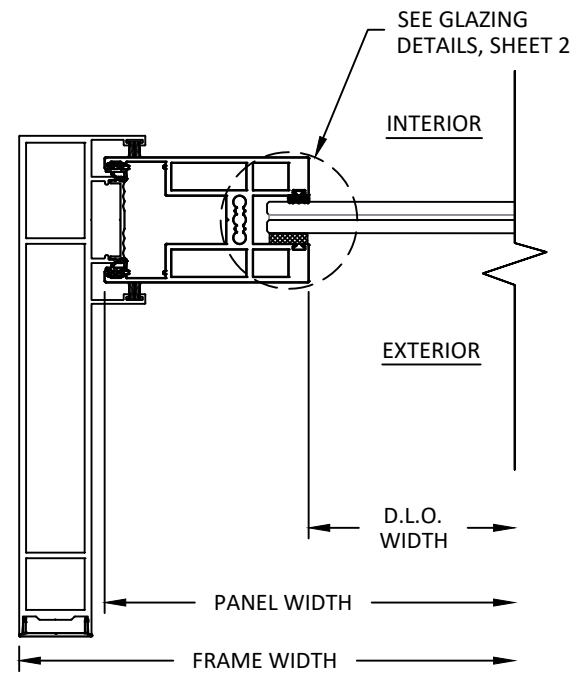
DWG. #: **LRA020**

SHEET:

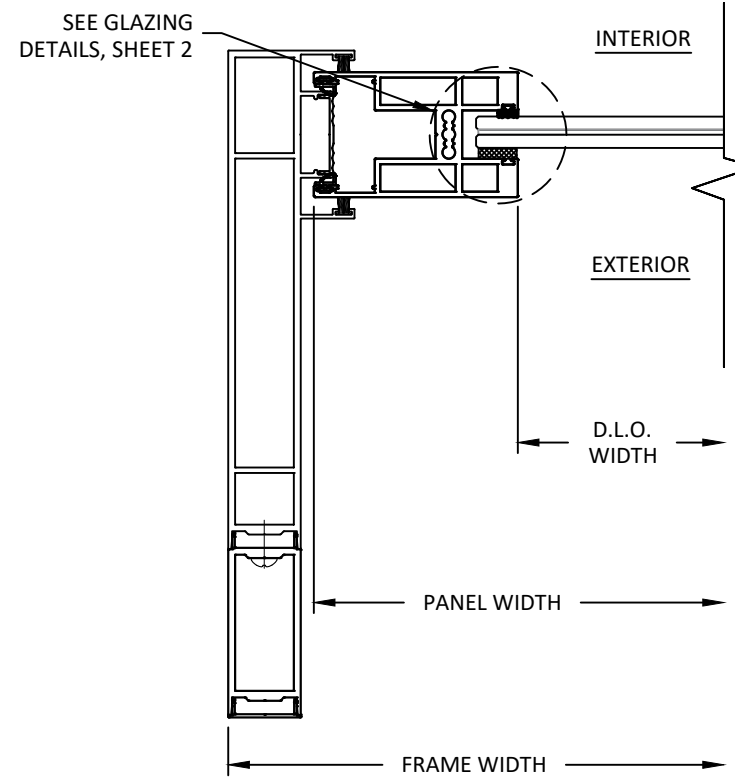
11 OF 16



A
12 HORIZONTAL SECTION
JAMB - FIXED PANEL
2-TRACK - LAMINATED GLASS

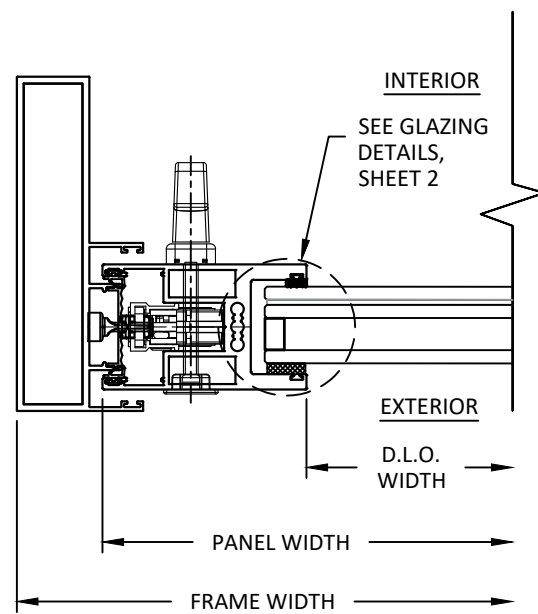


B
12 HORIZONTAL SECTION
JAMB - FIXED PANEL
3-TRACK - LAMINATED GLASS

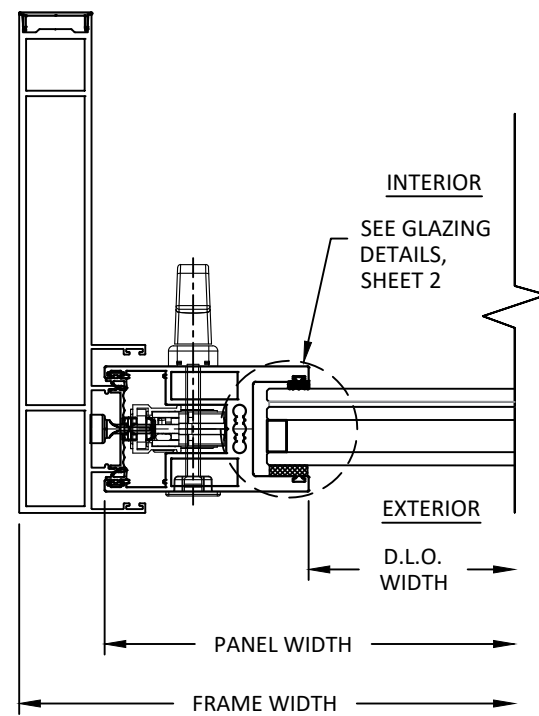


C
12 HORIZONTAL SECTION
JAMB - FIXED PANEL
4-TRACK - LAMINATED GLASS

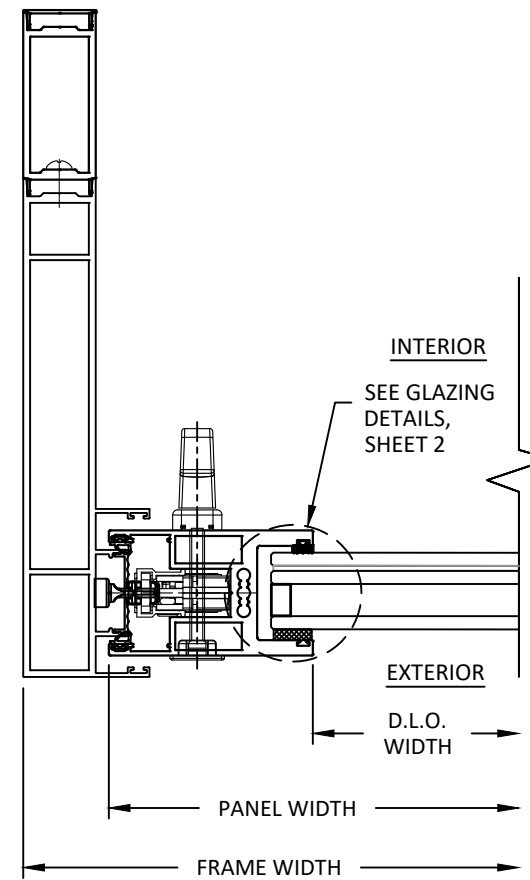
NOTE: BOTH LAMINATED AND INSULATED GLASS ARE QUALIFIED.



D
12 HORIZONTAL SECTION
JAMB - OPERABLE PANEL
2-TRACK - INSULATED GLASS



E
12 HORIZONTAL SECTION
JAMB - OPERABLE PANEL
3-TRACK - INSULATED GLASS



F
12 HORIZONTAL SECTION
JAMB - OPERABLE PANEL
4-TRACK - INSULATED GLASS

DESIGNED by
LINEA ROSSA®

1850 NW. 84TH AVE., STE. 114
DORAL, FL 33126
PH: (305)815-8797

TITLE: GLR-U28 SLIDING GLASS DOOR
& LIFT & SLIDE SYSTEMS
(HVHZ)(IMPACT)
HORIZONTAL SECTIONS

PREPARED BY:
BD
BUILDING DROPS
BUILDING DROPS, INC.
1900 NE MIAMI COURT, STE. 2-15
MIAMI, FL 33132
PH: (954)309-8478
FAX: (954)744-4738
WEB: www.buildingdrops.com

REMARKS	BY	DATE

THE INSTALLATION DETAILS DESCRIBED HEREIN ARE GENERIC AND MAY NOT REFLECT ACTUAL CONDITIONS FOR A SPECIFIC SITE. IF SITE CONDITIONS CAUSE INSTALLATION TO DEVIATE FROM THE REQUIREMENTS DETAILED HEREIN, A LICENSED ENGINEER OR ARCHITECT SHALL PREPARE SITE SPECIFIC DOCUMENTS FOR USE WITH THIS DOCUMENT.

HERMES F. NORERO, P.E.
FLORIDA P.E. No 73778
BUILDING DROPS, INC.
1900 NE MIAMI COURT, STE. 2-15
MIAMI, FL 33132
FBPE CERT. OF AUTHORIZATION No. 29578

FL42012

DATE: 08.18.2025

DWG. BY: JR
CHK. BY: HFN

SCALE: NTS

DWG. #: LRA020

SHEET:

12 OF 16

DESIGNED by
LINEA ROSSA®

1850 NW. 84TH AVE., STE. 114
DORAL, FL 33126
PH: (305)815-8797

TITLE: GLR-U28 SLIDING GLASS DOOR
& LIFT & SLIDE SYSTEMS
(HVHZ)/(IMPACT)
CORNER & POCKET
HORIZONTAL SECTIONS

PREPARED BY:
BUILDING DROPS, INC.
1900 NE MIAMI COURT, STE. 2-15
MIAMI, FL 33132
PH: (954)309-8478
FAX: (954)744-4738
WEB: www.buildingdrops.com



REMARKS	BY	DATE

THE INSTALLATION DETAILS DESCRIBED HEREIN ARE GENERIC AND MAY NOT REFLECT ACTUAL CONDITIONS FOR A SPECIFIC SITE. IF SITE CONDITIONS CAUSE INSTALLATION TO DEVIATE FROM THE REQUIREMENTS DETAILED HEREIN, A LICENSED ENGINEER OR ARCHITECT SHALL PREPARE SITE SPECIFIC DOCUMENTS FOR USE WITH THIS DOCUMENT.

HERMES F. NORERO, P.E.
FLORIDA P.E. No 73778
BUILDING DROPS, INC
1900 NE MIAMI COURT, STE. 2-15
MIAMI, FL 33132
FBPE CERT. OF AUTHORIZATION No. 29578

FL42012

DATE: **08.18.2025**

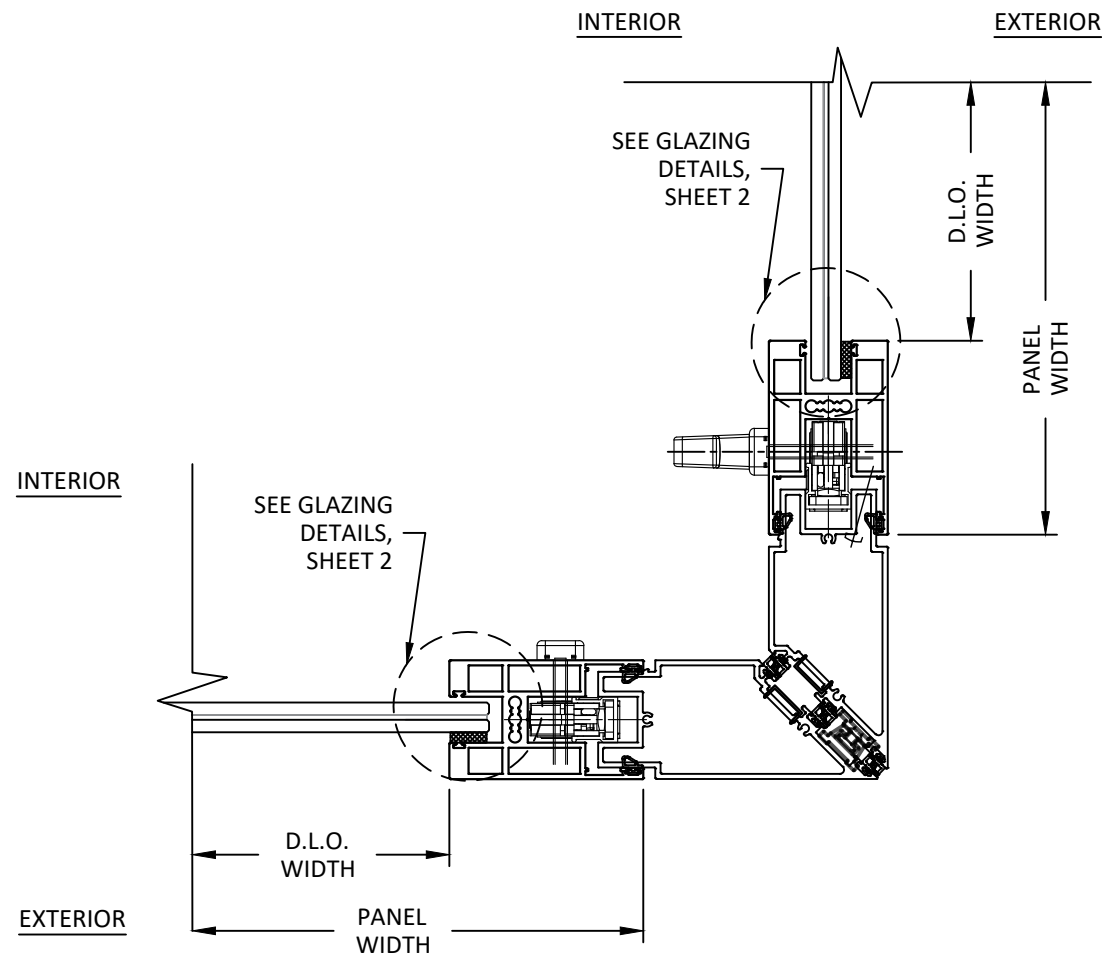
DWG. BY: JR	CHK. BY: HFN
-----------------------	------------------------

SCALE: **NTS**

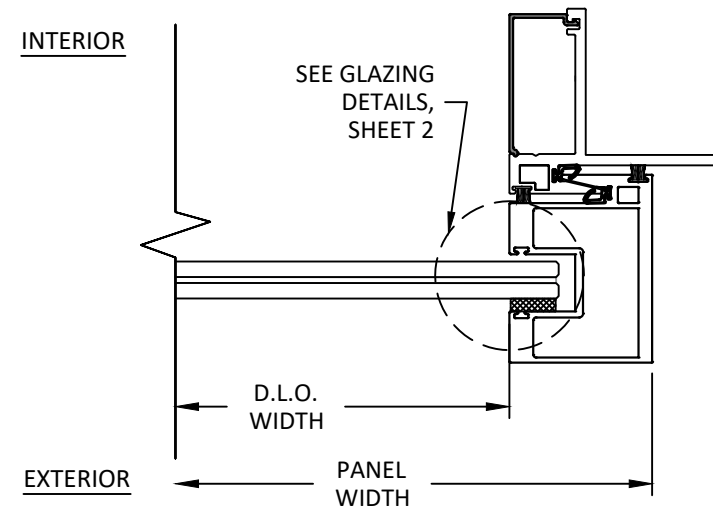
DWG. #: **LRA020**

SHEET:

14 OF 16



A
14 **HORIZONTAL SECTION**
2-TRACK CORNER DETAIL
LAMINATED GLASS



B
14 **HORIZONTAL SECTION**
2-TRACK POCKET DETAIL
LAMINATED GLASS

NOTE: BOTH LAMINATED AND INSULATED
GLASS ARE QUALIFIED.

TITLE: GLR-U28 SLIDING GLASS DOOR
& LIFT & SLIDE SYSTEMS
(HVHZ)(IMPACT)

ANCHOR DETAILS & ANCHOR SCHEDULE

PREPARED BY:
BUILDING DROPS, INC.
1900 NE MIAMI COURT, STE. 2-15
MIAMI, FL 33132
PH: (954)309-8478
FAX: (954)744-4738
WEB: www.buildingdrops.com



REMARKS	BY	DATE

THE INSTALLATION DETAILS DESCRIBED HEREIN ARE GENERIC AND MAY NOT REFLECT ACTUAL CONDITIONS FOR A SPECIFIC SITE. IF SITE CONDITIONS CAUSE INSTALLATION TO DEVIATE FROM THE REQUIREMENTS DETAILED HEREIN, A LICENSED ENGINEER OR ARCHITECT SHALL PREPARE SITE SPECIFIC DOCUMENTS FOR USE WITH THIS DOCUMENT.

HERMES F. NORERO, P.E.
FLORIDA P.E. No 73778
BUILDING DROPS, INC.
1900 NE MIAMI COURT, STE. 2-15
MIAMI, FL 33132
FBPE CERT. OF AUTHORIZATION No. 29578

FL42012

DATE: **08.18.2025**

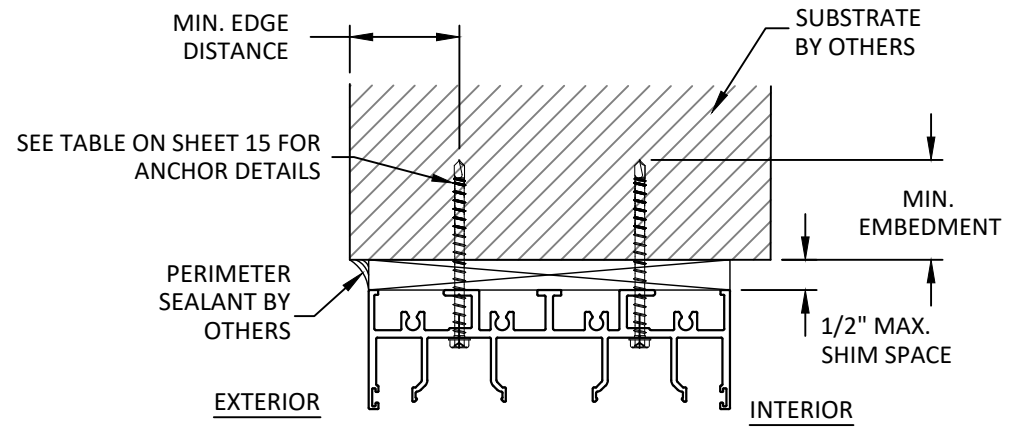
DWG. BY: **JR** CHK. BY: **HFN**

SCALE: **NTS**

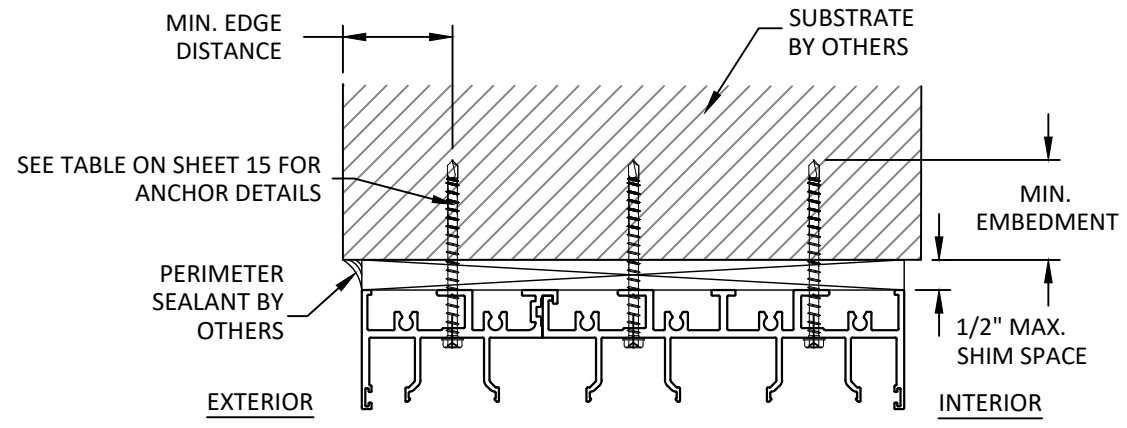
DWG. #: **LRA020**

SHEET:

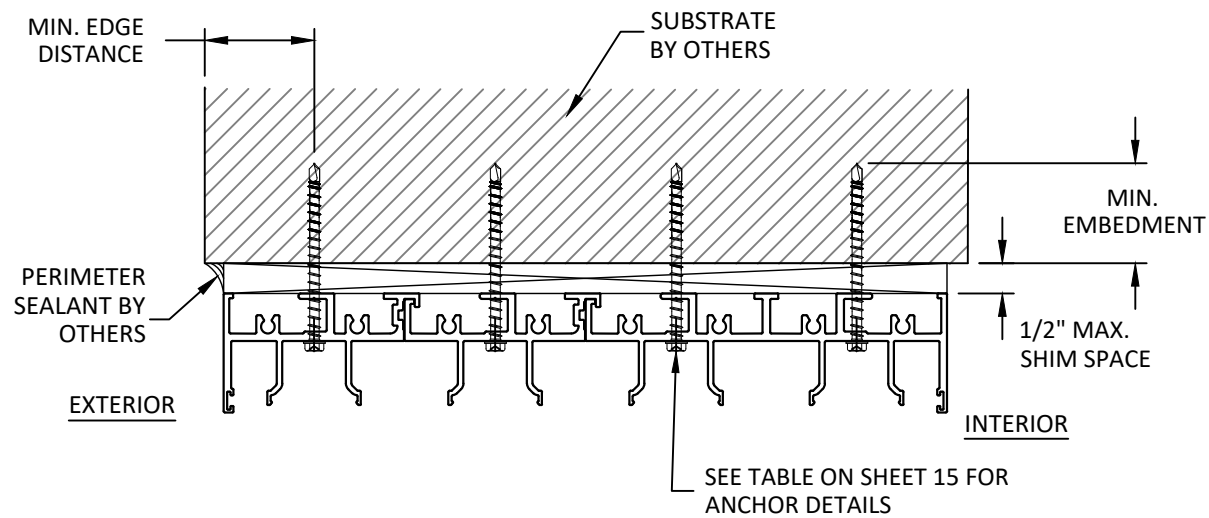
15 OF 16



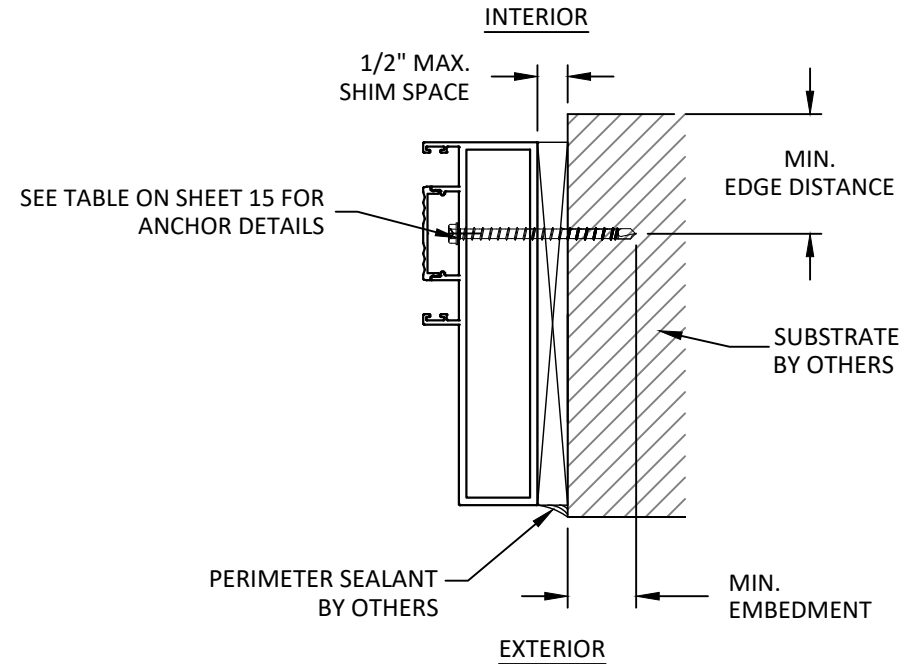
A
15 ANCHOR DETAIL
THROUGH FRAME (HEAD)
2-TRACK



B
15 ANCHOR DETAIL
THROUGH FRAME (HEAD)
3-TRACK

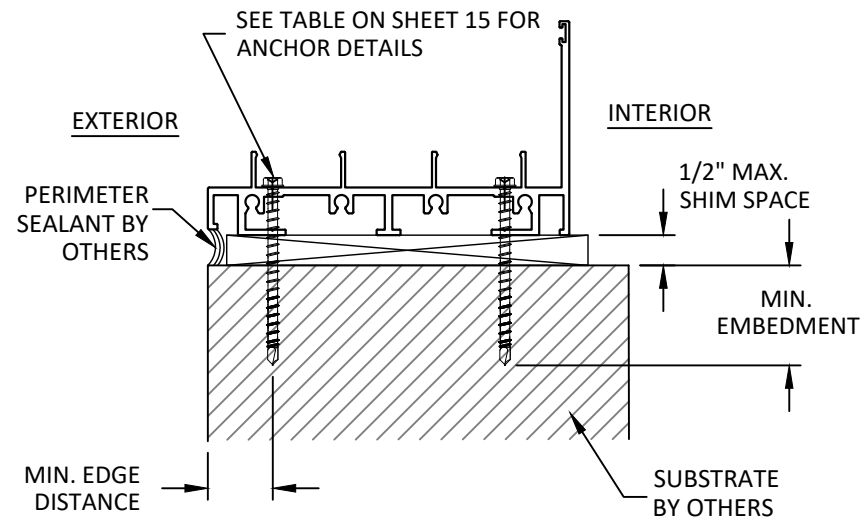


C
15 ANCHOR DETAIL
THROUGH FRAME (HEAD)
4-TRACK



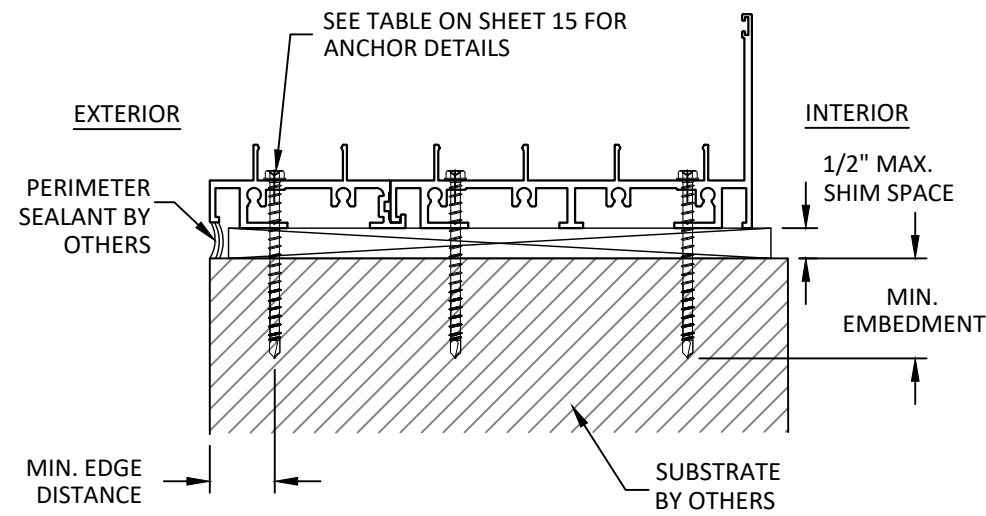
D
15 ANCHOR DETAIL
THROUGH FRAME (JAMB)
2-TRACK SHOWN (3 & 4 TRACK SIMILAR)

ANCHOR SCHEDULE					
METHOD	SILL PROFILE	SUBSTRATE	ANCHOR TYPE	MIN. EMBEDMENT	MIN. EDGE DISTANCE
THROUGH FRAME	BOTH 3.537" AND 2" SILL	WOOD: MIN. SG = 0.55	5/16" DEWALT ULTRACON	1.50"	1.50"
	3.537" SILL	METAL: 18 GAUGE STEEL, MIN. Fy = 33KSI ALUMINUM: 1/8" MIN., 6063-T5	1/4" DEWALT DRILLFLEX	3 THREADS MIN PENETRATION BEYOND STRUCTURE	0.75"
	2" SILL		5/16" DEWALT ULTRACON		
	BOTH 3.537" AND 2" SILL	CONCRETE: f'c=3000PSI	5/16" DEWALT ULTRACON	1.75"	2.50"
	BOTH 3.537" AND 2" SILL	MASONRY: CMU per ASTM C90 MIN. 2000 PSI	5/16" DEWALT ULTRACON	1.75"	2.50"



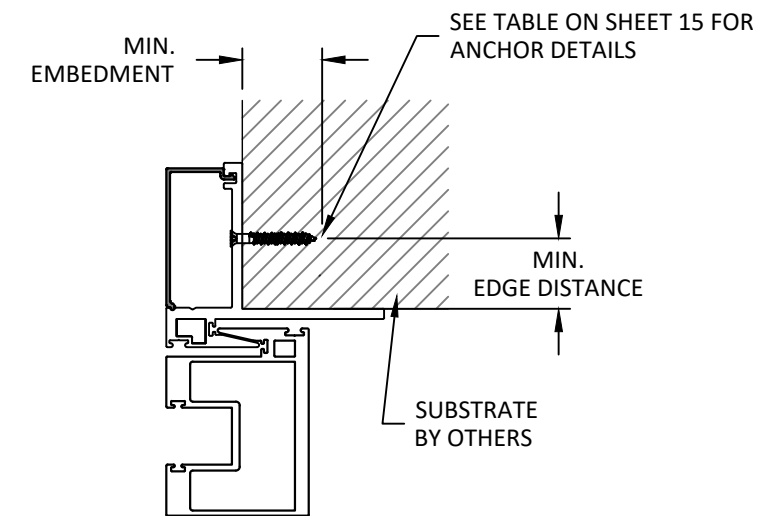
A
16 ANCHOR DETAIL
THROUGH FRAME (3.537" SILL)
2-TRACK

NOTE: 2" SILL SIMILAR.

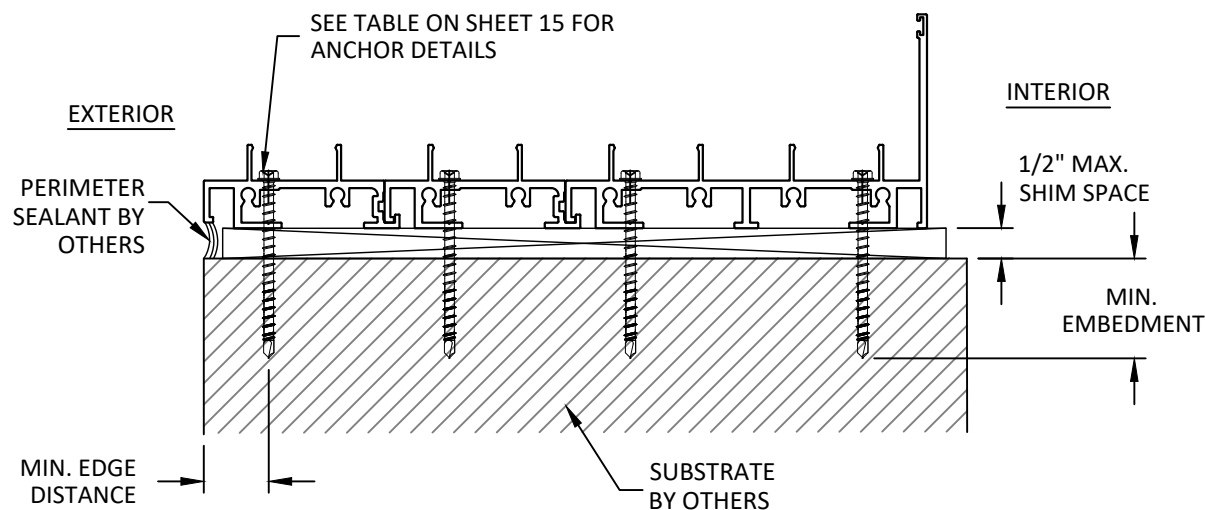


B
16 ANCHOR DETAIL
THROUGH FRAME (3.537" SILL)
3-TRACK

NOTE: 2" SILL SIMILAR.

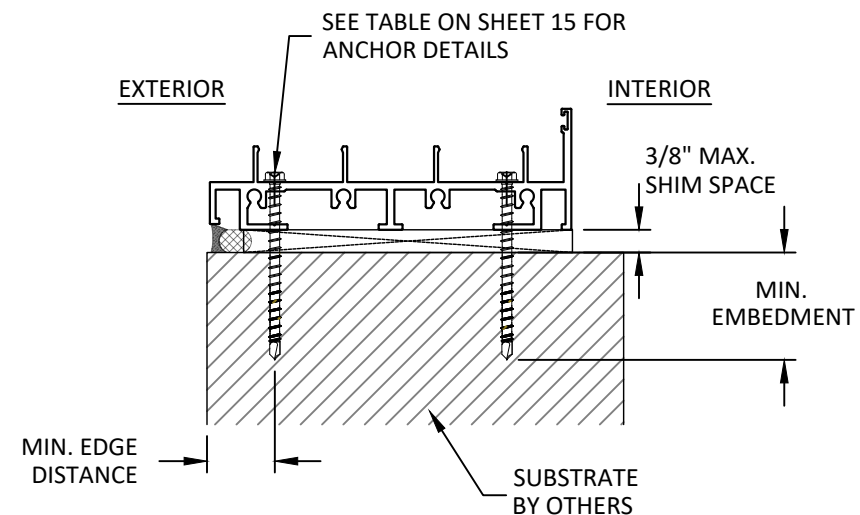


C
16 ANCHOR DETAIL
THROUGH FRAME - POCKET
2-TRACK



D
16 ANCHOR DETAIL
THROUGH FRAME (3.537" SILL)
4-TRACK

NOTE: 2" SILL SIMILAR.



E
16 ANCHOR DETAIL
THROUGH FRAME (2" SILL)
2-TRACK

TITLE: GLR-U28 SLIDING GLASS DOOR
& LIFT & SLIDE SYSTEMS
(HVHZ)(IMPACT)

ANCHOR DETAILS CONTINUED

PREPARED BY:
BUILDING DROPS, INC.
1900 NE MIAMI COURT, STE. 2-15
MIAMI, FL 33132
PH: (954)309-8478
FAX: (954)744-4738
WEB: www.buildingdrops.com



REMARKS	BY	DATE

THE INSTALLATION DETAILS DESCRIBED HEREIN ARE GENERIC AND MAY NOT REFLECT ACTUAL CONDITIONS FOR A SPECIFIC SITE. IF SITE CONDITIONS CAUSE INSTALLATION TO DEVIATE FROM THE REQUIREMENTS DETAILED HEREIN, A LICENSED ENGINEER OR ARCHITECT SHALL PREPARE SITE SPECIFIC DOCUMENTS FOR USE WITH THIS DOCUMENT.

HERMES F. NORERO, P.E.
FLORIDA P.E. No 73778
BUILDING DROPS, INC.
1900 NE MIAMI COURT, STE. 2-15
MIAMI, FL 33132
FBPE CERT. OF AUTHORIZATION No. 29578

FL42012

DATE: 08.18.2025

DWG. BY: JR CHK. BY: HFN

SCALE: NTS

DWG. #: LRA020

SHEET:

16 OF 16