

LINEA ROSSA LLC

LR-220 ALUMINUM HORIZONTAL SLIDING WINDOW (HVHZ)(IMPACT)

LINEA ROSSA
WINDOWS & DOORS

1850 NW. 84TH AVE., STE. 114
DORAL, FL 33126
PH: (305)815-8797

GENERAL NOTES:

- THE PRODUCT SHOWN HEREIN IS DESIGNED AND MANUFACTURED TO COMPLY WITH THE CURRENT EDITION FLORIDA BUILDING CODE (FBC), **INCLUDING** HVHZ AND HAS BEEN EVALUATED ACCORDING TO THE FOLLOWING:
 - TAS 201-94
 - TAS 202-94
 - TAS 203-94
- ADEQUACY OF THE EXISTING STRUCTURAL CONCRETE/MASONRY, 2X FRAMING, AND METAL FRAMING AS A MAIN WIND FORCE RESISTING SYSTEM CAPABLE OF WITHSTANDING AND TRANSFERRING APPLIED PRODUCT LOADS TO THE FOUNDATION IS THE RESPONSIBILITY OF THE ENGINEER OR ARCHITECT OF RECORD FOR THE PROJECT OF INSTALLATION.
- 1X AND 2X BUCKS (WHEN USED) SHALL BE DESIGNED AND ANCHORED TO PROPERLY TRANSFER ALL LOADS TO THE STRUCTURE. BUCK DESIGN AND INSTALLATION IS THE RESPONSIBILITY OF THE ENGINEER OR ARCHITECT OF RECORD FOR THE PROJECT OF INSTALLATION.
- THE INSTALLATION DETAILS DESCRIBED HEREIN ARE GENERIC AND MAY NOT REFLECT ACTUAL CONDITIONS FOR A SPECIFIC SITE. IF SITE CONDITIONS CAUSE INSTALLATION TO DEVIATE FROM THE REQUIREMENTS DETAILED HEREIN, A LICENSED ENGINEER OR ARCHITECT SHALL PREPARE SITE SPECIFIC DOCUMENTS FOR USE WITH THIS DOCUMENT IN NON-HVHZ AREAS.
- APPROVED IMPACT PROTECTIVE SYSTEM **IS NOT REQUIRED** ON THIS PRODUCT IN AREAS REQUIRING IMPACT RESISTANCE.
- WINDOW FRAME MATERIAL: ALUMINUM 6063-T5
- GLASS MEETS THE REQUIREMENTS OF ASTM E 1300 GLASS CHARTS. SEE SHEET 1 FOR GLAZING DETAILS.

MAX. WINDOW FRAME SIZE		CONFIG.	DESIGN PRESSURE	REINFORCEMENT	MISSILE IMPACT RATING
WIDTH	HEIGHT				
73 1/8"	70"	XO OX	+100/-100 PSF	LIGHT	LARGE & SMALL MISSILE IMPACT
73 1/8"	90"			HEAVY	
107 15/16"	70"	XOX		LIGHT	
107 15/16"	90"			HEAVY	

TABLE OF CONTENTS	
SHEET	SHEET DESCRIPTION
1	GENERAL NOTES & GLAZING DETAILS
2	ELEVATIONS & ANCHOR LAYOUTS
3	ELEVATION & ANCHOR LAYOUT
4	DESIGN PRESSURE TABLES
5	VERTICAL SECTIONS
6	HORIZONTAL SECTIONS
7	HORIZONTAL SECTIONS
8	INSTALLATION NOTES & ANCHOR DETAILS

TITLE: LR-220 ALUMINUM HORIZONTAL SLIDING WINDOW (HVHZ) (IMPACT)
GENERAL NOTES & GLAZING DETAILS

PREPARED BY: **BUILDING DROPS, INC.**
398 E. DANIA BEACH BLVD., STE. 338
DANIA BEACH, FL 33004
PH: (954)399-8478
FAX: (954)744-4738
WEB: www.buildingdrops.com



REMARKS	BY	DATE

THE INSTALLATION DETAILS DESCRIBED HEREIN ARE GENERIC AND MAY NOT REFLECT ACTUAL CONDITIONS FOR A SPECIFIC SITE. IF SITE CONDITIONS CAUSE INSTALLATION TO DEVIATE FROM THE REQUIREMENTS DETAILED HEREIN, A LICENSED ENGINEER OR ARCHITECT SHALL PREPARE SITE SPECIFIC DOCUMENTS FOR USE WITH THIS DOCUMENT.

HERMES F. NORERO
FLORIDA P. E. NO. 73778
398 E. DANIA BEACH BLVD., STE. 338
DANIA BEACH, FL 33004
FBPE CERT. OF AUTHORIZATION NO. 29578

FL38693

DATE: 10.06.2023

DWG. BY: SH CHK. BY: HFN

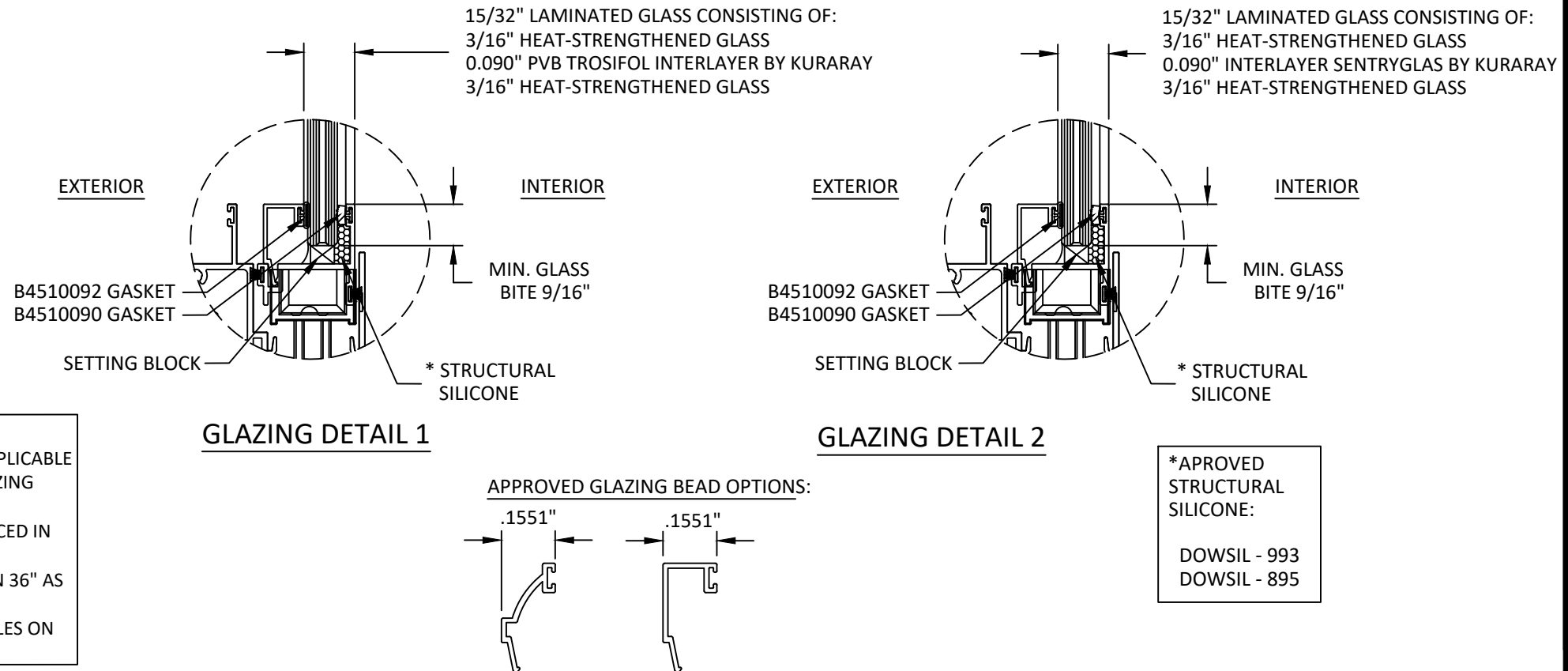
SCALE: NTS

DWG. #: LRA014

SHEET: 1 OF 8

1

- GLAZING NOTES:**
- GLASS TYPE COMPLIES WITH ASTM E1300 REQUIREMENTS AS WELL AS APPLICABLE SAFETY GLAZING REQUIREMENTS PER THE FBC. TEMPER AND SAFETY GLAZING REQUIREMENTS SHALL BE REVIEWED ON A SITE SPECIFIC BASIS.
 - SETTING BLOCK DUROMETER HARDNESS OF 70-90 (SHORE A) AS REFERENCED IN FBC CHAPTER 24.
 - TWO APPROVED SETTING BLOCKS SHALL BE USED FOR GLASS WIDER THAN 36" AS PER FBC CHAPTER 24.
 - D.L.O. AND DESIGN PRESSURES MAY NOT EXCEED MAX VALUES IN DP TABLES ON SHEET 1 AND ELEVATIONS ON SHEETS 2 & 3.



TITLE: LR-220 ALUMINUM HORIZONTAL SLIDING WINDOW (HVHZ) (IMPACT)
ELEVATIONS AND ANCHOR LAYOUTS

PREPARED BY: BUILDING DROPS, INC.
398 E. DANIA BEACH BLVD., STE. 338
DANIA BEACH, FL 33004
PH: (954)399-8478
FAX: (954)744-4738
WEB: www.buildingdrops.com



REMARKS	BY	DATE

THE INSTALLATION DETAILS DESCRIBED HEREIN ARE GENERIC AND MAY NOT REFLECT ACTUAL CONDITIONS FOR A SPECIFIC SITE. IF SITE CONDITIONS CAUSE INSTALLATION TO DEVIATE FROM THE REQUIREMENTS DETAILED HEREIN, A LICENSED ENGINEER OR ARCHITECT SHALL PREPARE SITE SPECIFIC DOCUMENTS FOR USE WITH THIS DOCUMENT.

HERMES F. NORERO
FLORIDA P. E. NO. 73778
398 E. DANIA BEACH BLVD., STE. 338
DANIA BEACH, FL 33004
FBPE CERT. OF AUTHORIZATION NO. 29578

FL38693

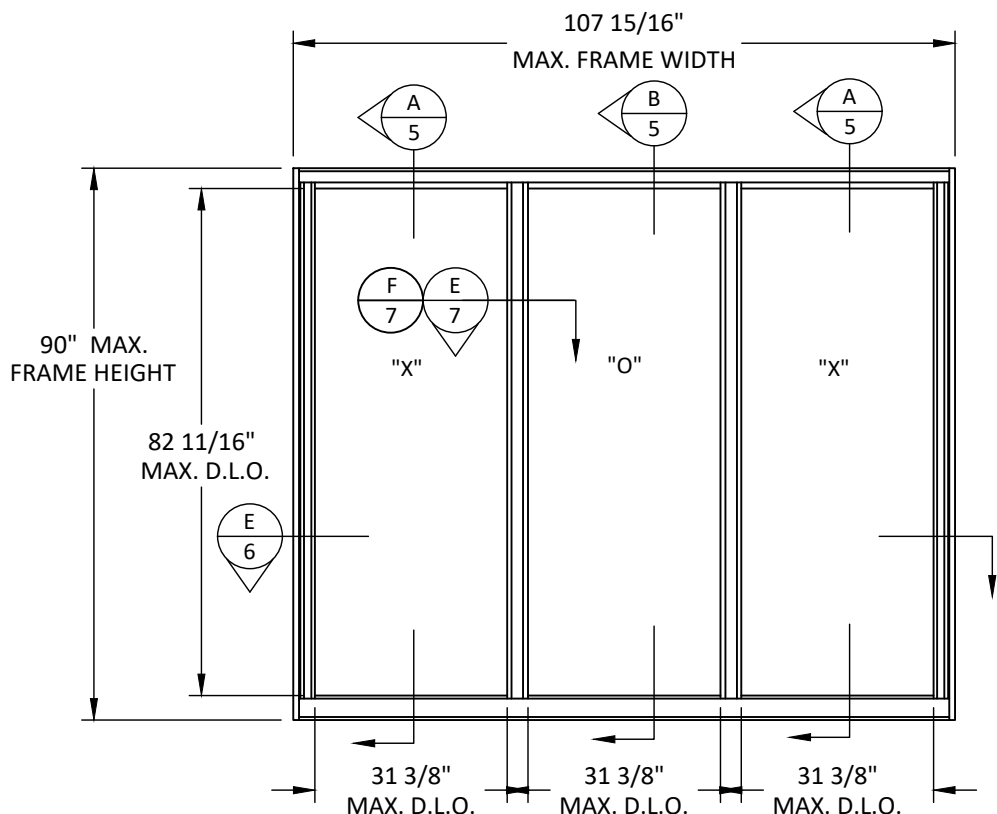
DATE: 10.06.2023

DWG. BY: SH CHK. BY: HFN

SCALE: NTS

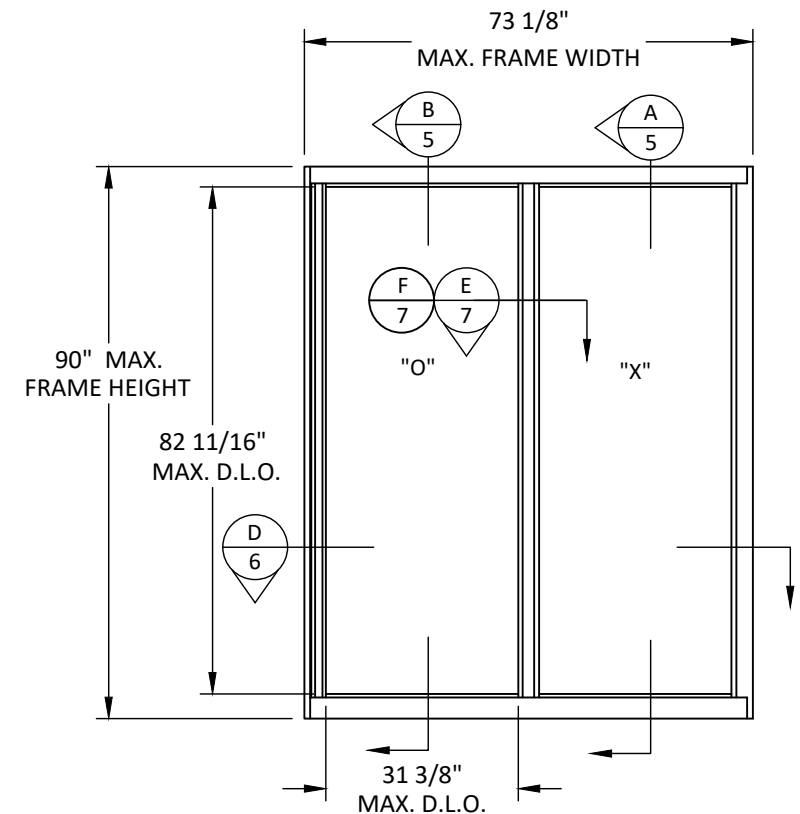
DWG. #: LRA014

SHEET: OF 8



ELEVATION

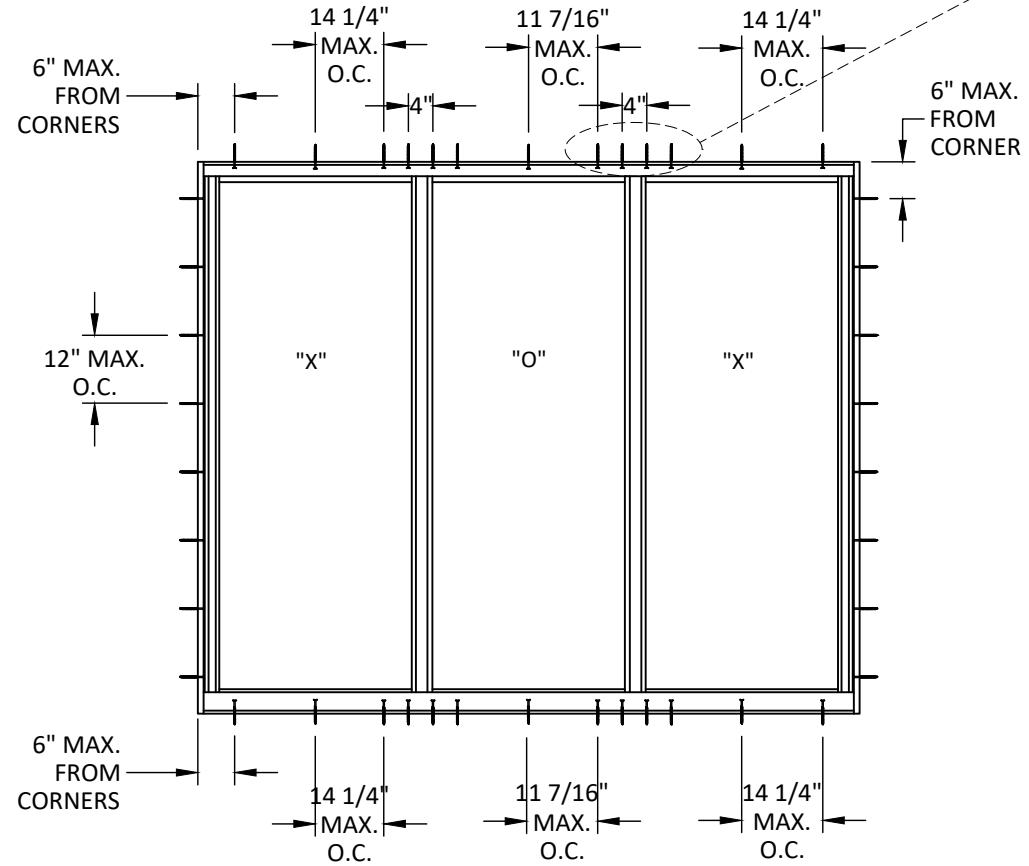
HORIZONTAL SLIDING WINDOW (XOX)
EQUAL LITES



ELEVATION

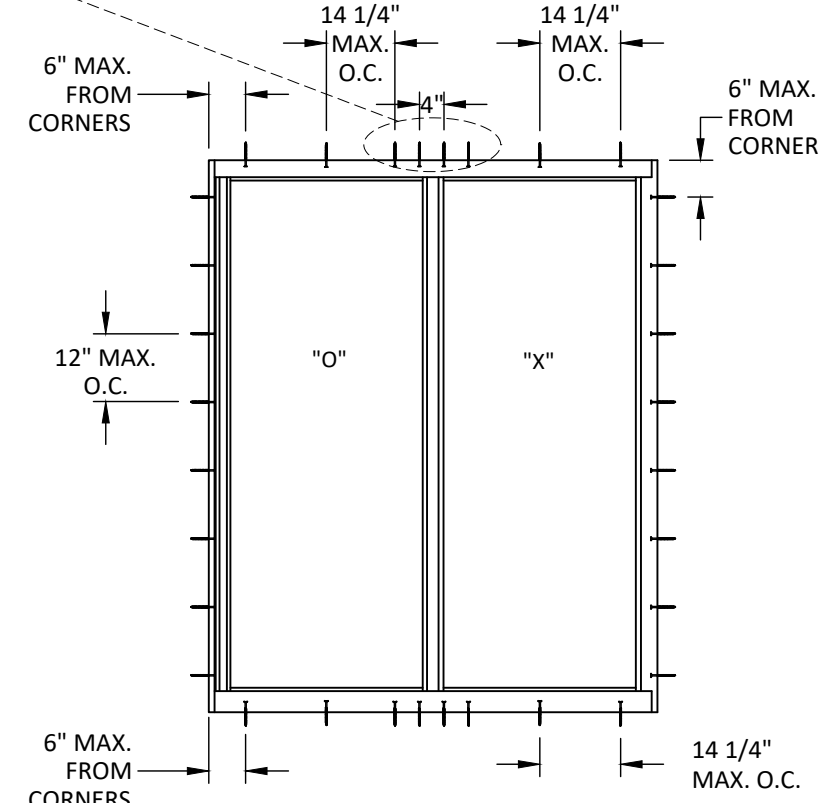
HORIZONTAL SLIDING WINDOW
(XO) SIMILAR

SUBSTRATE TYPE	NO. OF CLUSTERED ANCHORS AT MTG. STILES		
	1/4" SHIM SPACE	3/8" SHIM SPACE	1/2" SHIM SPACE
A	5	6	6
B	4	4	4
C	4	5	6
D	4	5	6



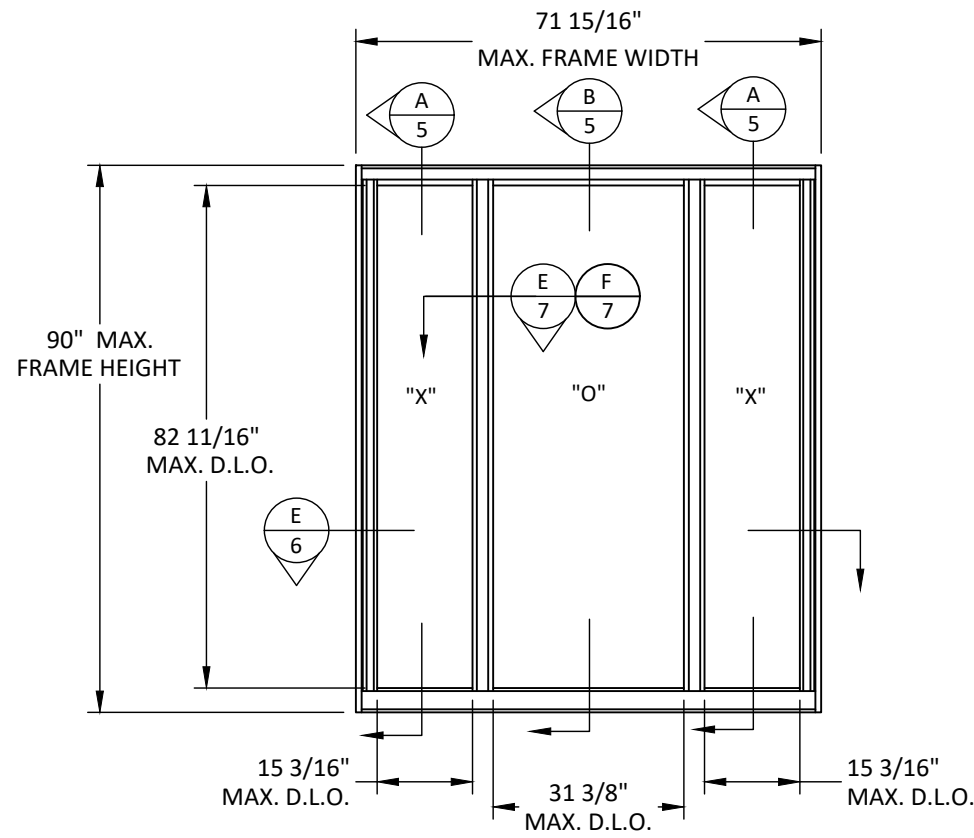
ANCHOR LAYOUT

THROUGH FRAME - HORIZONTAL SLIDING WINDOW (XOX)
EQUAL LITES



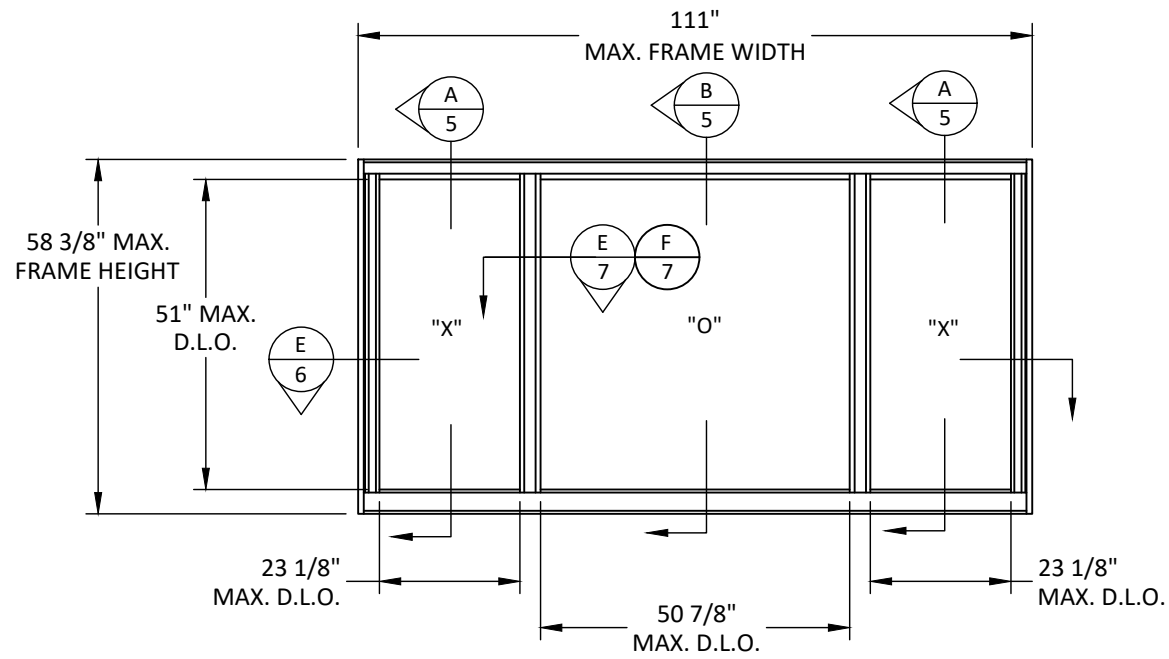
ANCHOR LAYOUT

THROUGH FRAME - HORIZONTAL SLIDING WINDOW
(XO) SIMILAR



ELEVATION

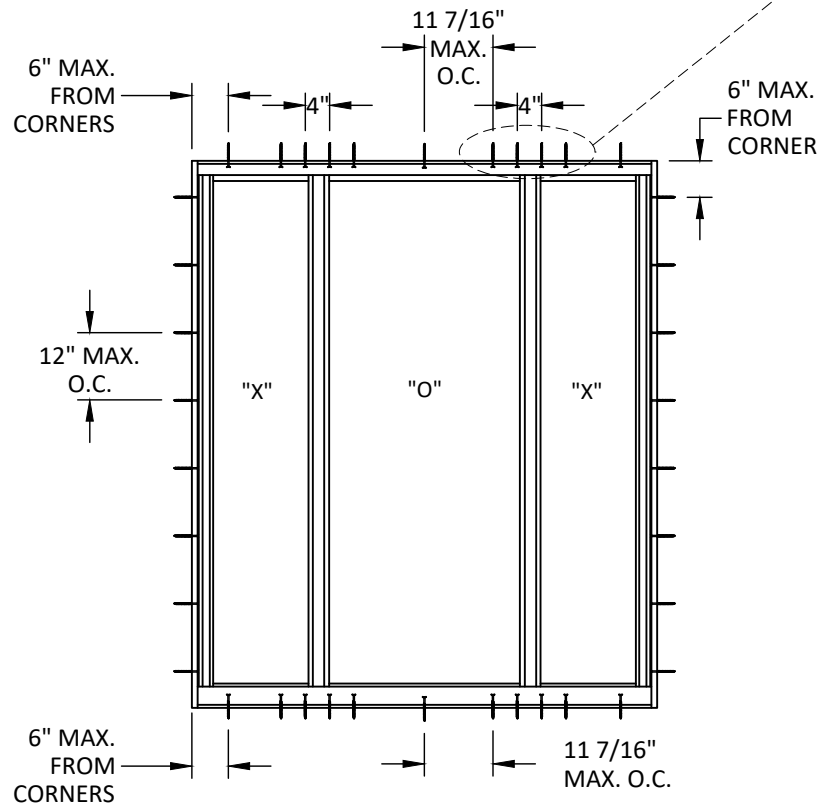
HORIZONTAL SLIDING WINDOW (XOX)
1/4 - 1/2 - 1/4 LITES



ELEVATION

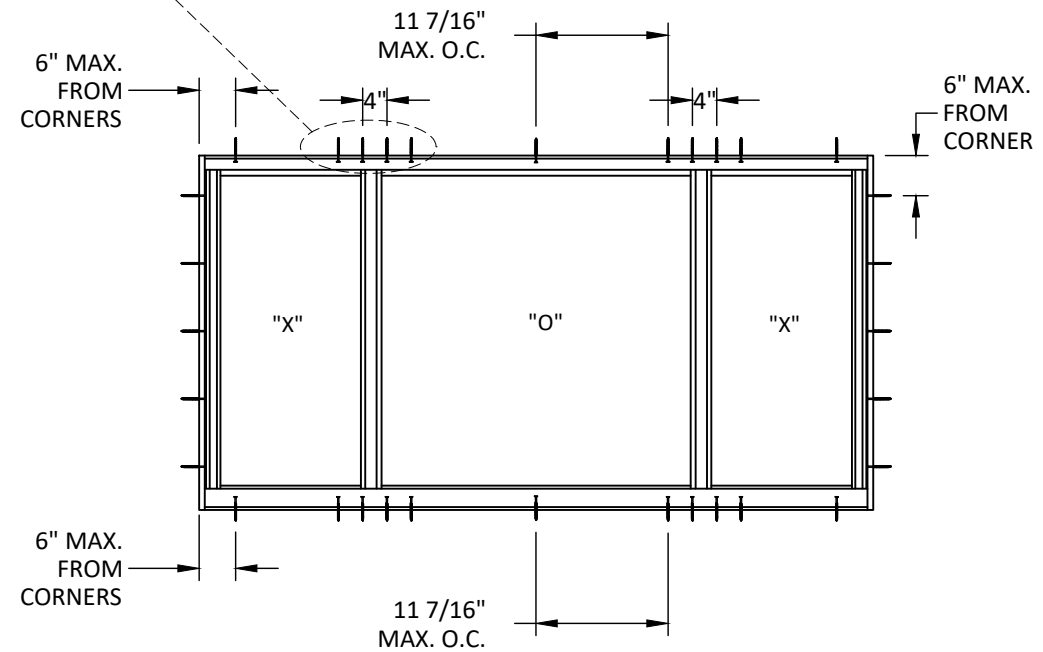
HORIZONTAL SLIDING WINDOW (XOX)
1/4 - 1/2 - 1/4 LITES

SUBSTRATE TYPE	NO. OF CLUSTERED ANCHORS AT MTG. STILES		
	1/4" SHIM SPACE	3/8" SHIM SPACE	1/2" SHIM SPACE
A	5	6	6
B	4	4	4
C	4	5	6
D	4	5	6



ANCHOR LAYOUT

THROUGH FRAME - HORIZONTAL SLIDING WINDOW (XOX)
1/4 - 1/2 - 1/4 LITES



ANCHOR LAYOUT

THROUGH FRAME - HORIZONTAL SLIDING WINDOW (XOX)
1/4 - 1/2 - 1/4 LITES

TITLE: LR-220 ALUMINUM HORIZONTAL SLIDING WINDOW (HVHZ) (IMPACT)
ELEVATION AND ANCHOR LAYOUT

PREPARED BY: BUILDING DROPS, INC.
398 E. DANIA BEACH BLVD., STE. 338
DANIA BEACH, FL 33004
PH: (954)399-8478
FAX: (954)744-4738
WEB: www.buildingdrops.com



REMARKS	BY	DATE

THE INSTALLATION DETAILS DESCRIBED HEREIN ARE GENERIC AND MAY NOT REFLECT ACTUAL CONDITIONS FOR A SPECIFIC SITE. IF SITE CONDITIONS CAUSE INSTALLATION TO DEVIATE FROM THE REQUIREMENTS DETAILED HEREIN, A LICENSED ENGINEER OR ARCHITECT SHALL PREPARE SITE SPECIFIC DOCUMENTS FOR USE WITH THIS DOCUMENT.

HERMES F. NORERO
FLORIDA P. E. NO. 73778
398 E. DANIA BEACH BLVD., STE. 338
DANIA BEACH, FL 33004
FBPE CERT. OF AUTHORIZATION NO. 29578

FL38693

DATE: 10.06.2023

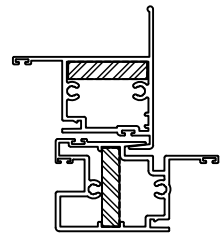
DWG. BY: SH
CHK. BY: HFN

SCALE: NTS

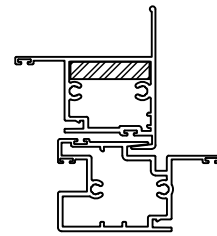
DWG. #: LRA014

SHEET: OF 8

DESIGN PRESSURE TABLE (+/- PSF)			
WINDOW DIMENSIONS		MEETING STILE	
AVERAGE PANEL WIDTH (IN.)	WINDOW HEIGHT (IN.)	HEAVY REINFORCEMENT	
30	60	100.0	
33		100.0	
36		100.0	
39		100.0	
42		100.0	
45		100.0	
48		100.0	
51		100.0	
54		100.0	
30		66	100.0
33	100.0		
36	100.0		
39	100.0		
42	100.0		
45	100.0		
48	100.0		
30	72		100.0
33			100.0
36			100.0
39		100.0	
42		100.0	
45		100.0	
30		78	100.0
33			100.0
36			100.0
39			100.0
42	100.0		
30	84		100.0
33			100.0
36			100.0
39			100.0
30			87
33		100.0	
36		100.0	
30		90	
33			100.0
36			100.0



HEAVY REINFORCEMENT



LIGHT REINFORCEMENT

DESIGN PRESSURE TABLE (+/- PSF)				
WINDOW DIMENSIONS		MEETING STILE		
AVERAGE PANEL WIDTH (IN.)	WINDOW HEIGHT (IN.)	LIGHT REINFORCEMENT		
30	42	70.0		
33		70.0		
36		70.0		
39		70.0		
42		70.0		
45		70.0		
48		70.0		
51		70.0		
54		70.0		
57		70.0		
60	48	70.0		
30		70.0		
33		70.0		
36		70.0		
39		70.0		
42		70.0		
45		70.0		
48		70.0		
51		70.0		
30		54	70.0	
33	70.0			
36	70.0			
39	70.0			
42	70.0			
45	70.0			
30	60		70.0	
33			70.0	
36			70.0	
39			70.0	
42		70.0		
30		66	70.0	
33			70.0	
36			70.0	
30			70	70.0
33				70.0
36	70.0			

TITLE: LR-220 ALUMINUM HORIZONTAL SLIDING WINDOW (HVHZ) (IMPACT)
DESIGN PRESSURE TABLES

PREPARED BY: BUILDING DROPS, INC.
398 E. DANIA BEACH BLVD., STE. 338
DANIA BEACH, FL 33004
PH: (954)399-8478
FAX: (954)744-4738
WEB: www.buildingdrops.com



REMARKS	BY	DATE

THE INSTALLATION DETAILS DESCRIBED HEREIN ARE GENERIC AND MAY NOT REFLECT ACTUAL CONDITIONS FOR A SPECIFIC SITE. IF SITE CONDITIONS CAUSE INSTALLATION TO DEVIATE FROM THE REQUIREMENTS DETAILED HEREIN, A LICENSED ENGINEER OR ARCHITECT SHALL PREPARE SITE SPECIFIC DOCUMENTS FOR USE WITH THIS DOCUMENT.

HERMES F. NORERO
FLORIDA P. E. NO. 73778
398 E. DANIA BEACH BLVD., STE. 338
DANIA BEACH, FL 33004
FBPE CERT. OF AUTHORIZATION NO. 29578

FL38693

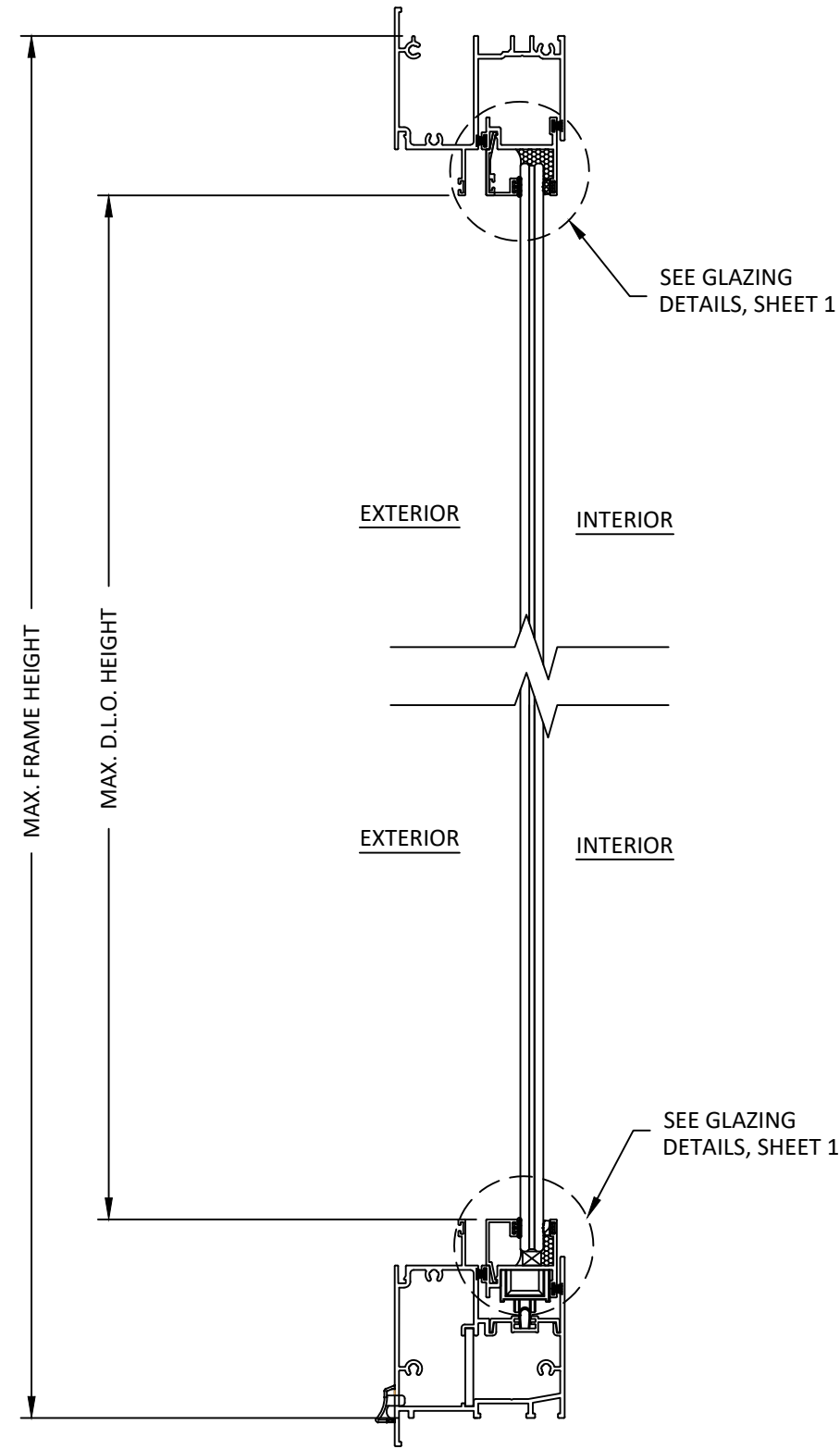
DATE: 10.06.2023

DWG. BY: SH	CHK. BY: HFN
-----------------------	------------------------

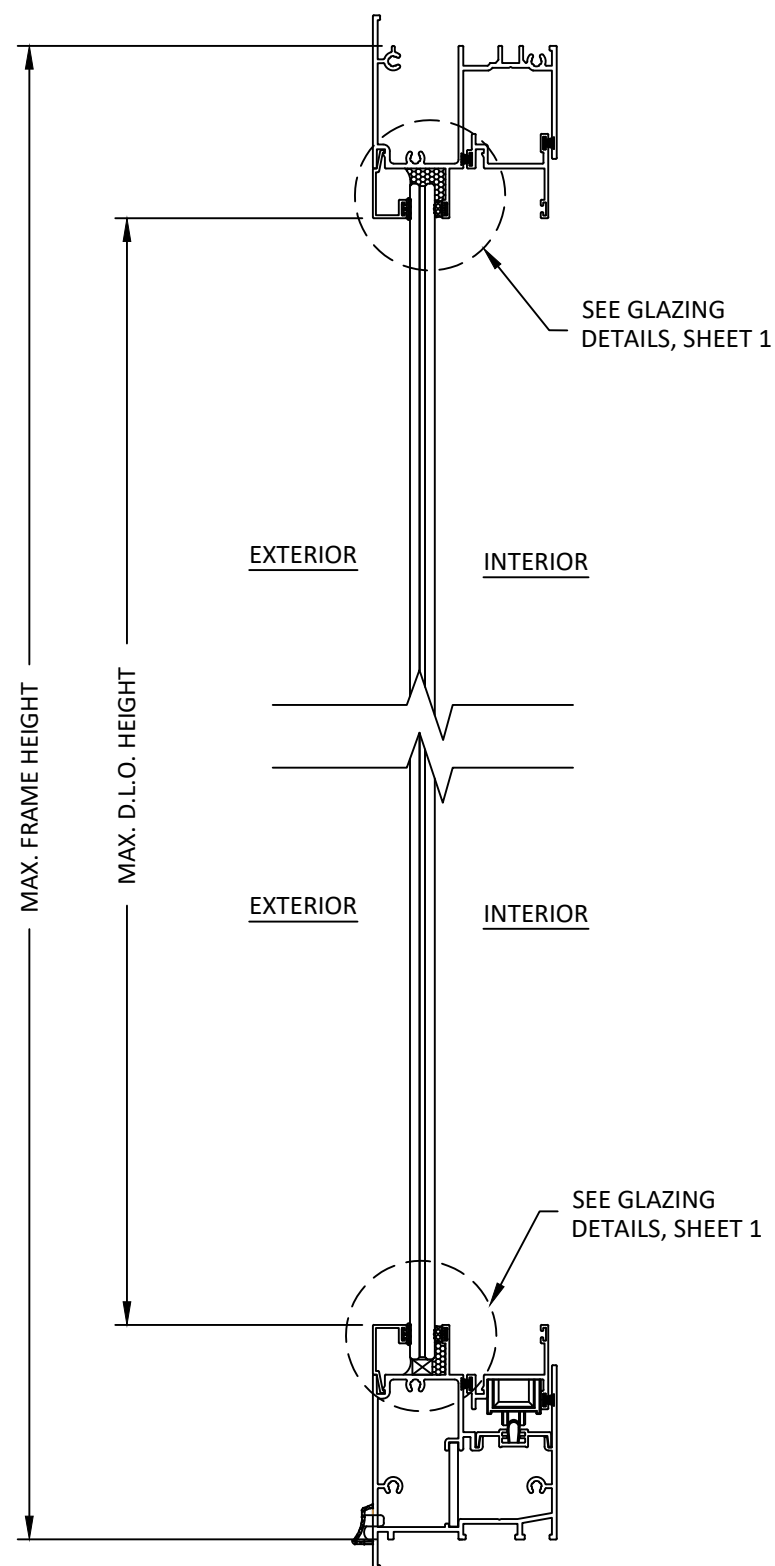
SCALE: **NTS**

DWG. #: **LRA014**

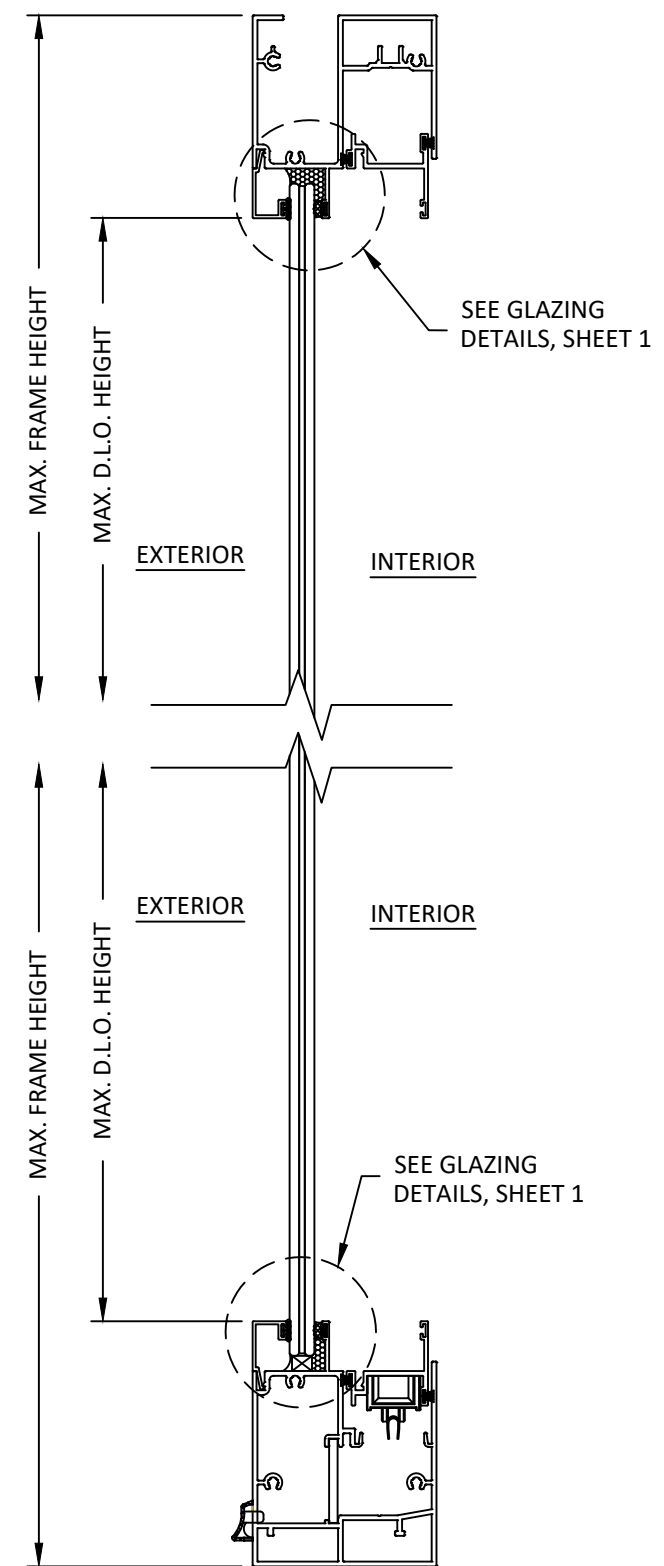
SHEET: **4** OF 8



A
5
VERTICAL SECTION
VENT DETAIL



B
5
VERTICAL SECTION
FIXED LITE DETAIL



C
5
VERTICAL SECTION
FIXED LITE DETAIL
ALTERNATE WINDOW FRAME

TITLE: LR-220 ALUMINUM HORIZONTAL
SLIDING WINDOW
(HVHZ) (IMPACT)
VERTICAL SECTIONS

PREPARED BY: **BUILDING DROPS, INC.**
398 E. DANIA BEACH BLVD., STE. 338
DANIA BEACH, FL 33004
PH: (954)399-8478
FAX: (954)744-4738
WEB: www.buildingdrops.com



REMARKS	BY	DATE

THE INSTALLATION DETAILS DESCRIBED HEREIN ARE GENERIC AND MAY NOT REFLECT ACTUAL CONDITIONS FOR A SPECIFIC SITE. IF SITE CONDITIONS CAUSE INSTALLATION TO DEVIATE FROM THE REQUIREMENTS DETAILED HEREIN, A LICENSED ENGINEER OR ARCHITECT SHALL PREPARE SITE SPECIFIC DOCUMENTS FOR USE WITH THIS DOCUMENT.

HERMES F. NORERO
FLORIDA P. E. NO. 73778
398 E. DANIA BEACH BLVD., STE. 338
DANIA BEACH, FL 33004
FBPE CERT. OF AUTHORIZATION NO. 29578

FL38693

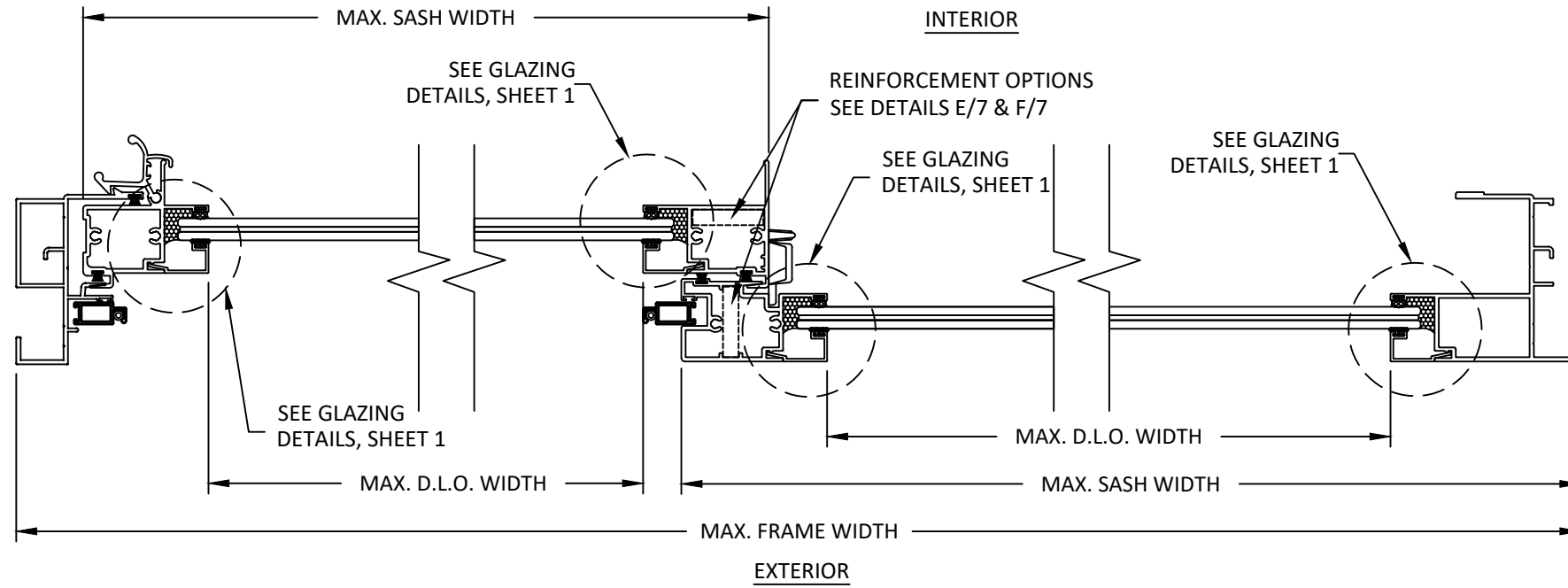
DATE: 10.06.2023

DWG. BY: SH	CHK. BY: HFN
-----------------------	------------------------

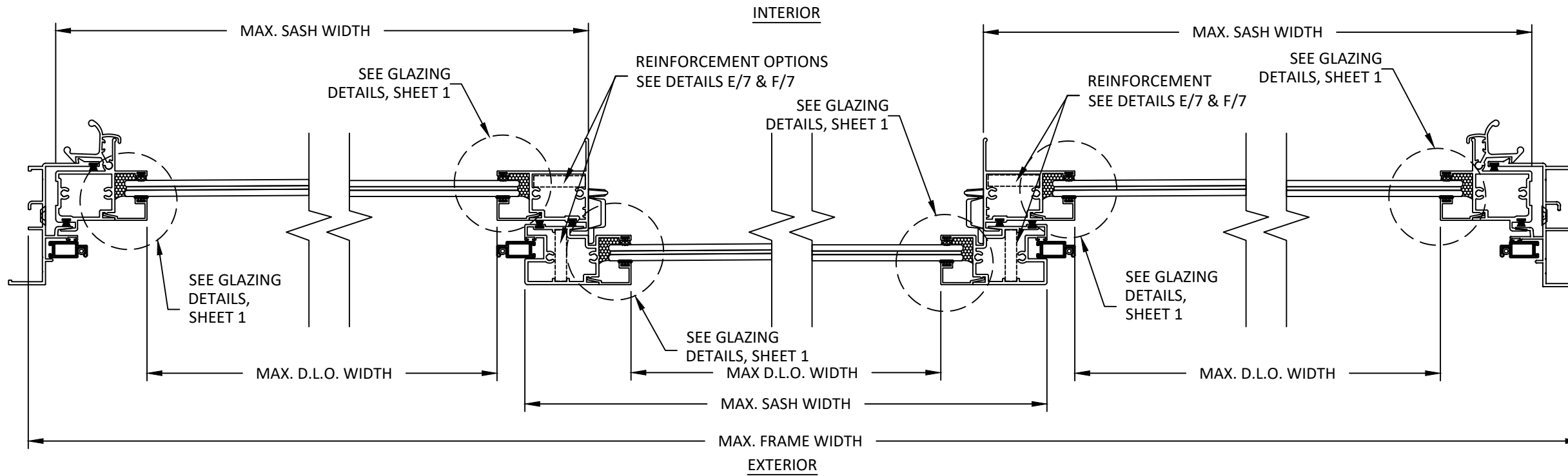
SCALE: **NTS**

DWG. #: **LRA014**

SHEET: **5** OF 8



D
6 **HORIZONTAL SECTION**
XO HORIZONTAL SLIDING WINDOW
ALTERNATE WINDOW FRAME SHOWN ON LEFT



E
6 **HORIZONTAL SECTION**
XOX HORIZONTAL SLIDING WINDOW
ALTERNATE WINDOW FRAME SHOWN ON RIGHT

TITLE: LR-220 ALUMINUM HORIZONTAL SLIDING WINDOW (HVHZ) (IMPACT)
HORIZONTAL SECTIONS

PREPARED BY: **BUILDING DROPS, INC.**
398 E. DANIA BEACH BLVD., STE. 338
DANIA BEACH, FL 33004
PH: (954)399-8478
FAX: (954)744-4738
WEB: www.buildingdrops.com



REMARKS	BY	DATE

THE INSTALLATION DETAILS DESCRIBED HEREIN ARE GENERIC AND MAY NOT REFLECT ACTUAL CONDITIONS FOR A SPECIFIC SITE. IF SITE CONDITIONS CAUSE INSTALLATION TO DEVIATE FROM THE REQUIREMENTS DETAILED HEREIN, A LICENSED ENGINEER OR ARCHITECT SHALL PREPARE SITE SPECIFIC DOCUMENTS FOR USE WITH THIS DOCUMENT.

HERMES F. NORERO
FLORIDA P. E. NO. 73778
398 E. DANIA BEACH BLVD., STE. 338
DANIA BEACH, FL 33004
FBPE CERT. OF AUTHORIZATION NO. 29578

FL38693

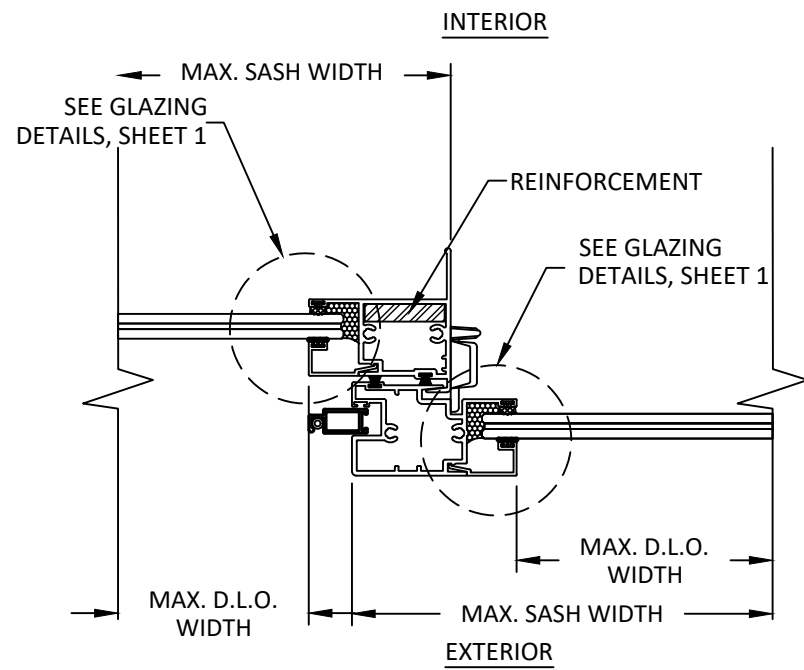
DATE: 10.06.2023

DWG. BY: SH CHK. BY: HFN

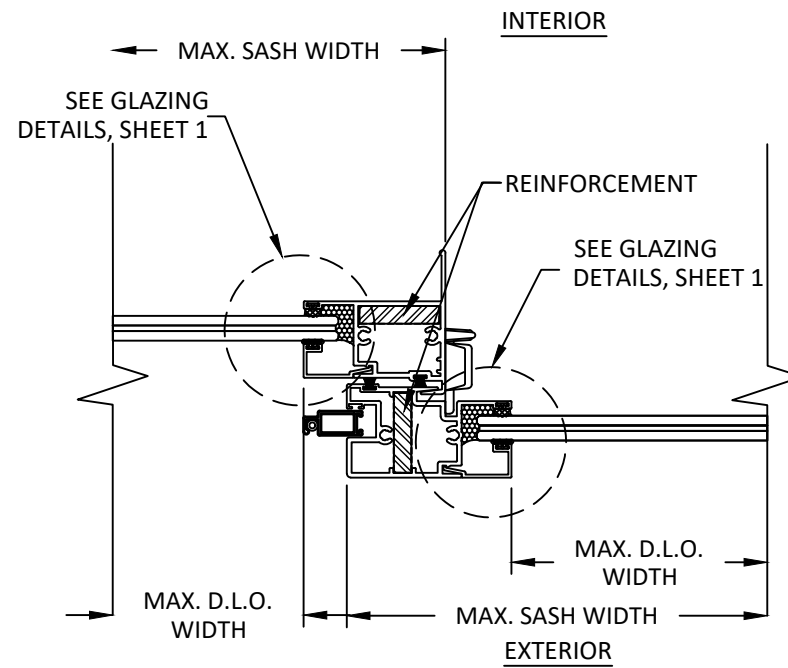
SCALE: NTS

DWG. #: LRA014

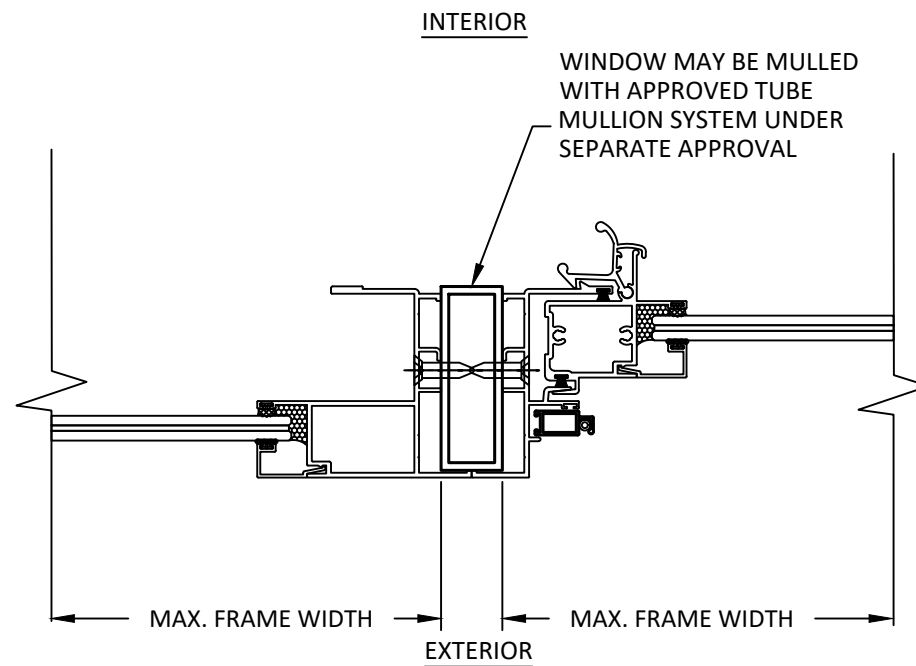
SHEET: OF 8



E
7 HORIZONTAL SECTION
LIGHT REINFORCEMENT - MEETING RAIL



F
7 HORIZONTAL SECTION
HEAVY REINFORCEMENT - MEETING RAIL



G
7 HORIZONTAL SECTION
MULLED - HORIZONTAL SLIDING WINDOW

TITLE: LR-220 ALUMINUM HORIZONTAL SLIDING WINDOW (HVHZ) (IMPACT) HORIZONTAL SECTIONS

PREPARED BY: BUILDING DROPS, INC.
398 E. DANIA BEACH BLVD., STE. 338
DANIA BEACH, FL 33004
PH: (954)399-8478
FAX: (954)744-4738
WEB: www.buildingdrops.com



REMARKS	BY	DATE

THE INSTALLATION DETAILS DESCRIBED HEREIN ARE GENERIC AND MAY NOT REFLECT ACTUAL CONDITIONS FOR A SPECIFIC SITE. IF SITE CONDITIONS CAUSE INSTALLATION TO DEVIATE FROM THE REQUIREMENTS DETAILED HEREIN, A LICENSED ENGINEER OR ARCHITECT SHALL PREPARE SITE SPECIFIC DOCUMENTS FOR USE WITH THIS DOCUMENT.

HERMES F. NORERO
FLORIDA P. E. NO. 73778
398 E. DANIA BEACH BLVD., STE. 338
DANIA BEACH, FL 33004
FBPE CERT. OF AUTHORIZATION NO. 29578

FL38693

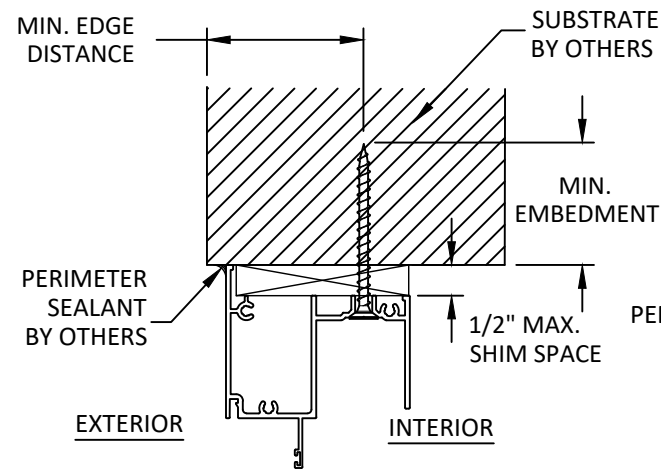
DATE: 10.06.2023

DWG. BY: SH CHK. BY: HFN

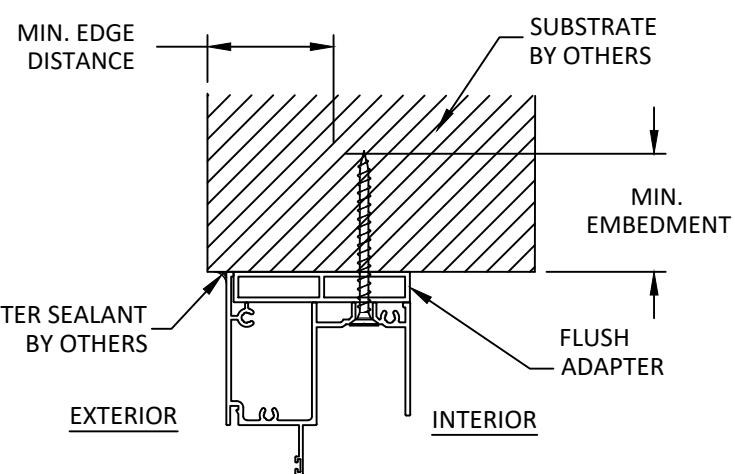
SCALE: NTS

DWG. #: LRA014

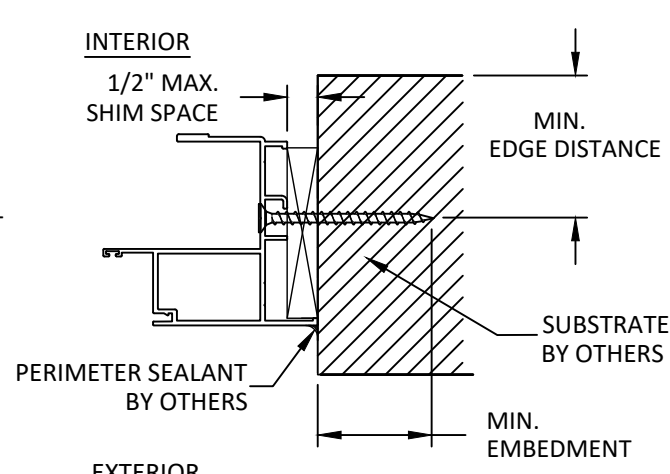
SHEET: 7 OF 8



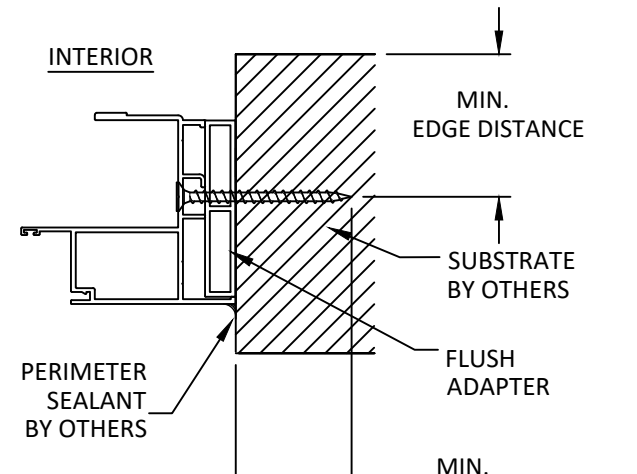
A
8 ANCHOR DETAIL
THROUGH FRAME (HEAD)
HEAD SHOWN, SILL SIMILAR



B
8 ANCHOR DETAIL
THROUGH FRAME (HEAD) W/ FLUSH ADAPTER
HEAD SHOWN, SILL SIMILAR
ALTERNATE WINDOW FRAME (SIMILAR)



C
8 ANCHOR DETAIL
THROUGH FRAME (JAMB)
FIXED JAMB SHOWN, VENT JAMB SIMILAR



D
8 ANCHOR DETAIL
THROUGH FRAME (JAMB) W/ FLUSH ADAPTER
FIXED JAMB SHOWN, VENT JAMB SIMILAR
ALTERNATE WINDOW FRAME (SIMILAR)

INSTALLATION NOTES:

- ONE (1) INSTALLATION ANCHOR IS REQUIRED AT EACH ANCHOR LOCATION SHOWN.
- THE NUMBER OF INSTALLATION ANCHORS DEPICTED IS THE MINIMUM NUMBER OF ANCHORS TO BE USED FOR PRODUCT INSTALLATION OF THE MAXIMUM SIZE LISTED.
- INSTALL INDIVIDUAL INSTALLATION ANCHORS WITHIN A TOLERANCE OF $\pm 1/2$ INCH THE DEPICTED LOCATION & SPACING IN THE ANCHOR LAYOUT DETAILS (I.E., WITHOUT CONSIDERATION OF TOLERANCES). TOLERANCES ARE NOT CUMULATIVE FROM ONE INSTALLATION ANCHOR TO THE NEXT.
- SHIM AS REQUIRED AT EACH INSTALLATION ANCHOR WITH LOAD BEARING SHIM(S). MAXIMUM ALLOWABLE SHIM STACK TO BE 1/2" INCH. SHIM WHERE SPACE OF 1/16 INCH OR GREATER OCCURS. SHIM(S) SHALL BE CONSTRUCTED OF HIGH DENSITY PLASTIC OR BETTER.
- FOR MASONRY OR CONCRETE OPENINGS, 1X WOOD BUCK MAY BE USED (OPTIONAL AS LONG AS THE MINIMUM EMBEDMENT AND EDGE DISTANCE REQUIREMENTS ARE STILL MET WITHIN THE CORRESPONDING HOST SUBSTRATE. SEE GENERAL NOTE #3 ON SHEET 1 FOR MORE INFORMATION.
- MINIMUM EMBEDMENT AND EDGE DISTANCE EXCLUDE WALL FINISHES, INCLUDING BUT NOT LIMITED TO STUCCO, FOAM, BRICK VENEER, AND SIDING.
- INSTALLATION ANCHORS AND ASSOCIATED HARDWARE MUST BE MADE OF CORROSION RESISTANT MATERIAL OR HAVE A CORROSION RESISTANT COATING.
- FOR HOLLOW BLOCK AND GROUT FILLED BLOCK, DO NOT INSTALL INSTALLATION ANCHORS INTO MORTAR JOINTS. EDGE DISTANCE IS MEASURED FROM FREE EDGE OF BLOCK OR EDGE OF MORTAR JOINT INTO FACE SHELL OF BLOCK.
- INSTALLATION ANCHORS SHALL BE INSTALLED IN ACCORDANCE WITH ANCHOR MANUFACTURER'S INSTALLATION INSTRUCTIONS, AND ANCHORS SHALL NOT BE USED IN SUBSTRATES WITH STRENGTHS LESS THAN THE MINIMUM STRENGTH SPECIFIED BY THE ANCHOR MANUFACTURER.

ANCHOR SCHEDULE					
METHOD	SUBSTRATE TYPE	SUBSTRATE	ANCHOR TYPE	MIN. EMBEDMENT	MIN. EDGE DISTANCE
THROUGH FRAME	A	WOOD: MIN. SG = 0.55	1/4" DEWALT ULTRACON+	1.50"	1.00"
	B	METAL: 18 GAUGE STEEL, MIN. Fy = 33KSI ALUMINUM :125" MIN, 6063-T5 MIN	#14 DEWALT DRILL-FLEX	3 THREADS MIN. PENETRATION BEYOND METAL	0.75"
	C	CONCRETE: f _c =3000PSI	1/4" DEWALT ULTRACON+	1.75"	2.50"
	D	MASONRY: CMU per ASTM C90 MIN. 2000 PSI		1.75"	2.50"
MULLIONS	E	ALUMINUM 6063-T6	1 / 4" DEWALT DRILL-FLEX	3 THREADS MIN. PENETRATION BEYOND METAL	0.75"

TITLE: LR-220 ALUMINUM HORIZONTAL SLIDING WINDOW (HVHZ) (IMPACT)
INSTALLATION NOTES & ANCHOR DETAILS

PREPARED BY: BUILDING DROPS, INC.
398 E. DANIA BEACH BLVD., STE. 338
DANIA BEACH, FL 33004
PH: (954)399-8478
FAX: (954)744-4738
WEB: www.buildingdrops.com



REMARKS	BY	DATE

THE INSTALLATION DETAILS DESCRIBED HEREIN ARE GENERIC AND MAY NOT REFLECT ACTUAL CONDITIONS FOR A SPECIFIC SITE. IF SITE CONDITIONS CAUSE INSTALLATION TO DEVIATE FROM THE REQUIREMENTS DETAILED HEREIN, A LICENSED ENGINEER OR ARCHITECT SHALL PREPARE SITE SPECIFIC DOCUMENTS FOR USE WITH THIS DOCUMENT.

HERMES F. NORERO
FLORIDA P. E. NO. 73778
398 E. DANIA BEACH BLVD., STE. 338
DANIA BEACH, FL 33004
FBPE CERT. OF AUTHORIZATION NO. 29578

FL38693

DATE: 10.06.2023

DWG. BY: SH
CHK. BY: HFN

SCALE: NTS

DWG. #: LRA014

SHEET: 8 OF 8