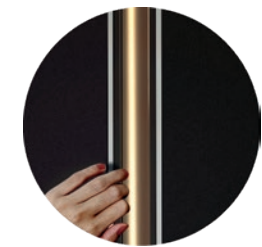
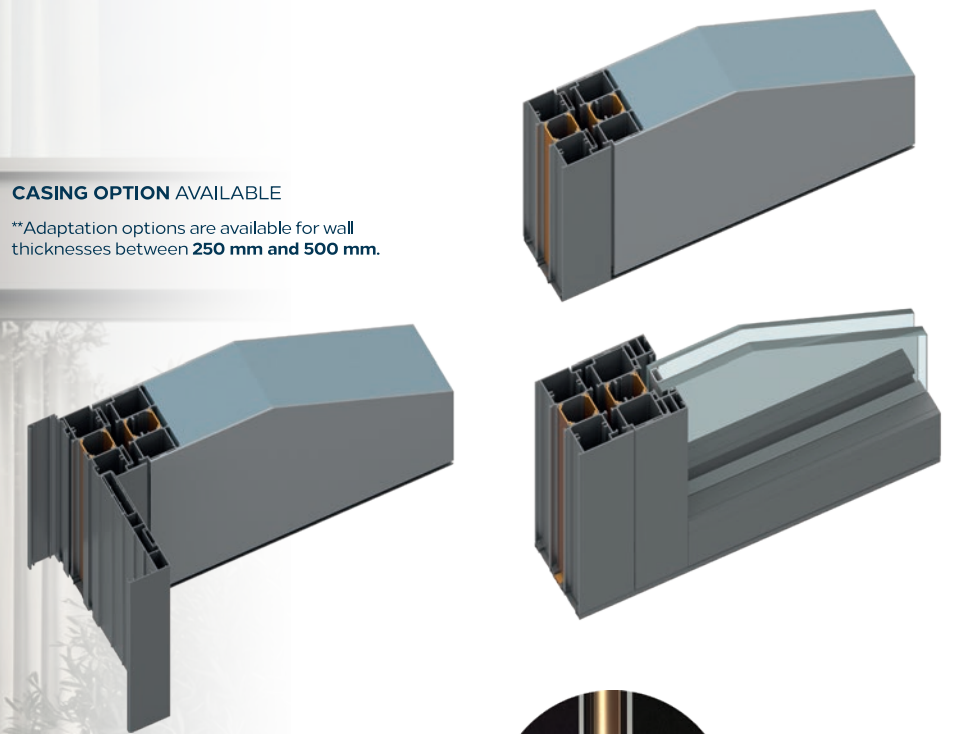




Where Elegance, Security
Modern Design Meet

CASING OPTION AVAILABLE

**Adaptation options are available for wall thicknesses between 250 mm and 500 mm.



FLUSH HANDLE



FINGERPRINT SCANNER



WATER ISOLATION



SOUND PERFORMANCE

TECHNICAL SPECIFICATIONS	
FRAME SILL WIDTH	4 10/16 "
FRAME SILL HEIGHT	1 12/16 "

APPLICATION FEATURES	
MODERN DESIGN	✓
HIGH SECURITY	✓
EASE OF USE AND FUNCTIONALITY	✓
HEAT AND SOUND INSULATION	✓
WIDE PRODUCT RANGE PORTFOLIO	✓
ALUMINIUM OR GLASS PANEL OPTION	✓