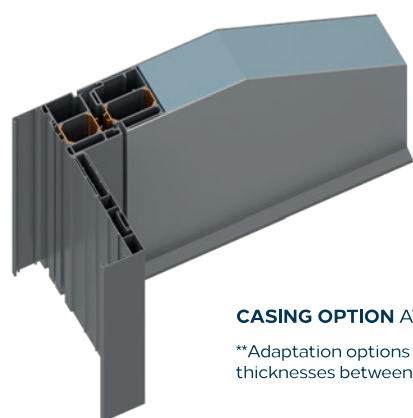
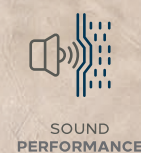


TECHNICAL SPECIFICATIONS	
FRAME SILL WIDTH	3 7/16 "
FRAME SILL HEIGHT	2 15/16 "

APPLICATION FEATURES	
MODERN DESIGN	✓
HIGH SECURITY	✓
EASE OF USE AND FUNCTIONALITY	✓
HEAT AND SOUND INSULATION	✓
WIDE PRODUCT RANGE PORTFOLIO	✓
ALUMINIUM OR GLASS PANEL OPTION	✓



CASING OPTION AVAILABLE
**Adaptation options are available for wall thicknesses between 250 mm and 500 mm.

