

LR530 | THERMALLY BROKEN
LINEA ROSSA CASEMENT WINDOW



DESIGNED by
LINEA ROSSA®
WINDOWS | DOORS | FACADE

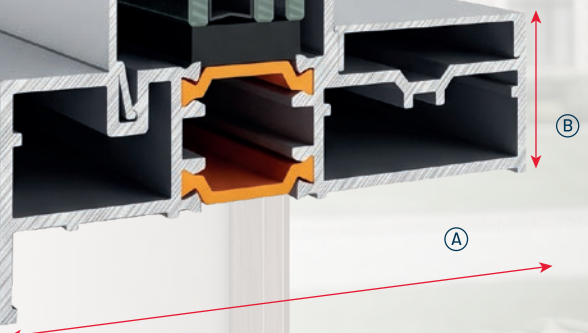


GLASS TYPE

SGP

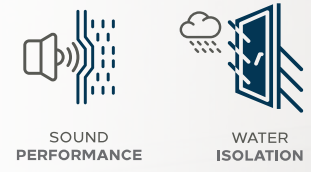
5/32" + 3/8" AIR SPACE + 5/32"
+0.09" (SGP) + 5/32"

HEAT STREND GLASS
INSULATED LAMINATED GLASS



TECHNICAL SPECIFICATIONS:

- A** | FRAME WIDTH | 4 1/8"
- B** | FRAME HEIGHT | 3 5/16"



- **Thermal Break Technology**
A built-in thermal barrier minimizes heat transfer between interior and exterior environments, significantly improving energy efficiency.
- **High Insulation Performance**
Advanced sealing and thermal design provide superior resistance against heat loss, enhancing indoor comfort in all seasons.